

## 1102 B Type Caster Series



NBR (milling black) Wheel Diameter x Wheel Width 200 x 44mm

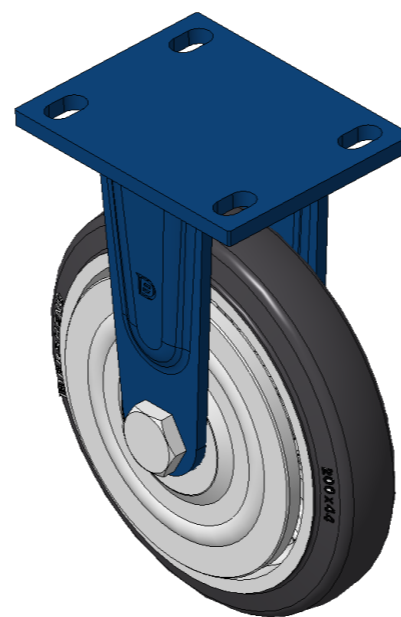
EAN

KS-11020800041011

Rigid Caster with Welded Caster Fork Blue painted finish, Mounting Type - Top Plate, 110x75 Bolt Hole Spacing Cast Iron core with High-Quality, highly Resilient Rubber Wheel Tread, Cast Iron black Bearings: Ball Bearing bearings

Wheel surface: Made of high-quality, highly elastic rubber  
Wheel Center: iron core/cast iron core

Drawings are for reference only and may differ from the product



Picture may differ from original product

### Technical Data

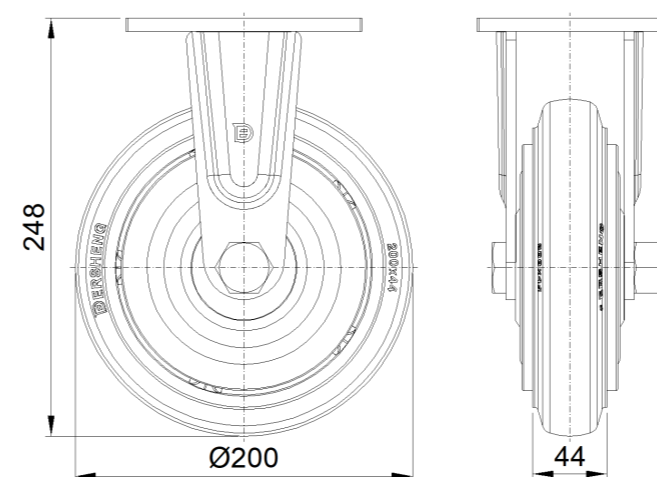
Imperial  Metric

Wheel Diameter	8 "
Wheel Width	1-3/4 "
Wheel Bearing	Wheels With Ball Bearings
Plate Size	5-9/16 " x 4-3/8 "
Bolt Hole Spacing	4-5/16 " x3"
Plate Hole	7/8 " x 9/16 "
Overall Height	9-15/16 "
Hardness Of Tread	85±5° Shore A
Load Capacity (Dynamic)	772lbs
Load Capacity (Static)	1157lbs
Temperature	-4°F to +176°F
Fork Type	Rigid Caster
Stainless	N/A
Electrical Conductivity	N/A
Anti-Static	N/A
Weight	11.0lbs
Standard	ISO22883

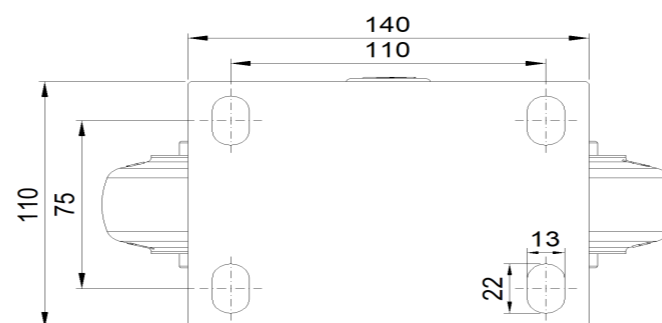
### Advantages at a glance

Rolling Resistance	● ● ● ● ○
Operating Noise	● ● ● ● ○
Floor Surface Preservation	● ● ● ● ○

### Dimensions



### Mounting



\* For any deviation between metric and imperial spec, please refer to the metric spec.