

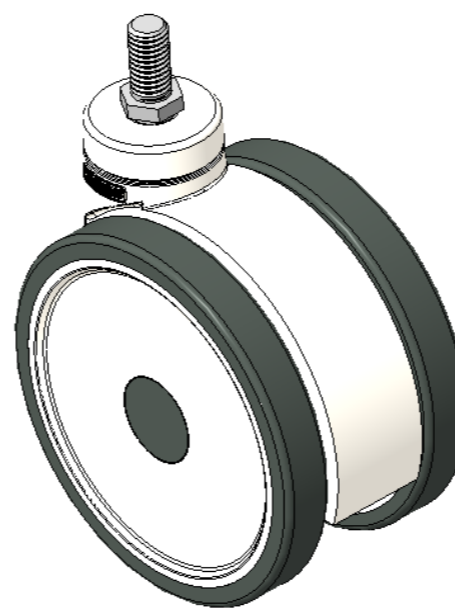
# 1110-3 Series — Medi Series



PPR Wheel Insert (White Dark Gray) Wheel Diameter×Wheel Width 100×14 (60.5) mm

EAN

KS-11100402265043



Picture may differ from original product

Drawings are for reference only and may differ from the product

## Technical Data

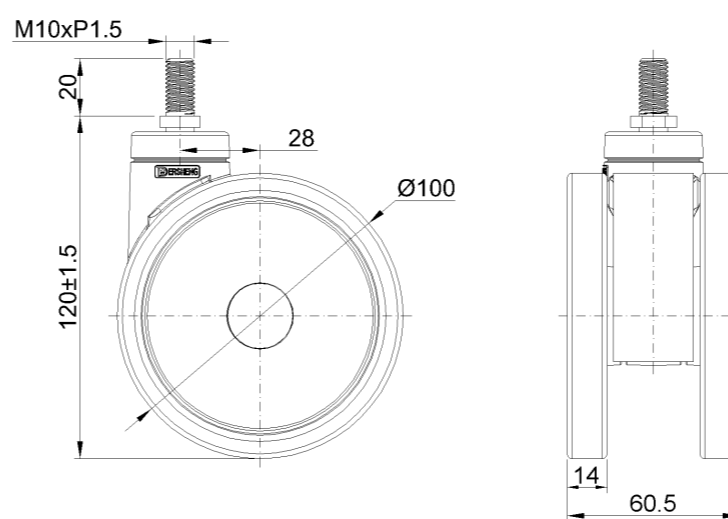
Imperial  Metric

Wheel Diameter	4 "
Wheel Width	2-3/8 "
Wheel Bearing	Wheel With Plain Bearing
Threaded Stem	M10
Threaded Length	13/16 "
Offset	1-1/8 "
Swivel Interference	6-11/16 "
Overall Height	4-13/16 "
Swivel Radius	3-3/8 "
Hardness Of Tread	82±5° Shore A
Load Capacity (Dynamic)	110lbs
Load Capacity (Static)	165lbs
Temperature	-4°F to +140°F
Fork Type	Swivel Caster
Stainless	N/A
Electrical Conductivity	N/A
Anti-Static	N/A
Weight	1.0lbs
Standard	ISO22881

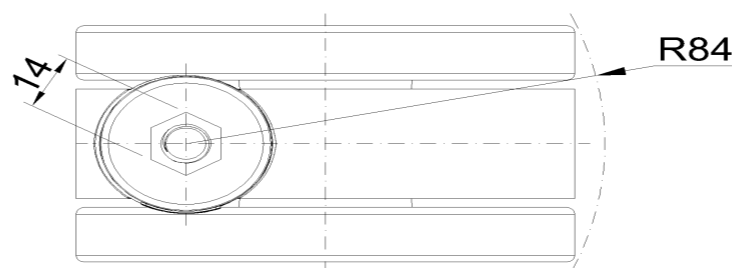
## Advantages at a glance

Rolling Resistance	● ● ● ● ○
Operating Noise	● ● ● ● ○
Floor Surface Preservation	● ● ● ● ●

## Dimensions



## Mounting



\* For any deviation between metric and imperial spec, please refer to the metric spec.