

## 1115 Spring-loaded Caster Series (Regular)

VQPU (brown round) Wheel Diameter x Wheel Width 250 x 62mm

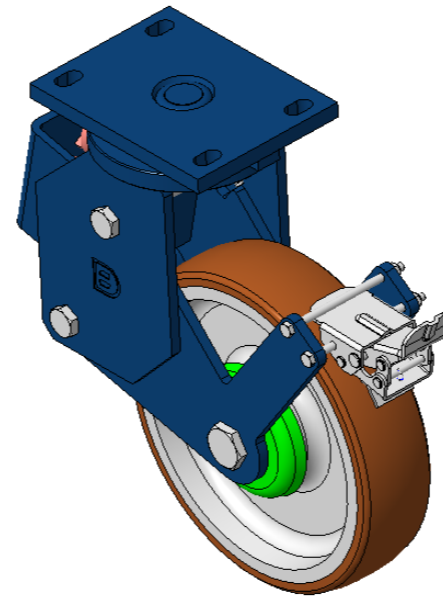
A

KS-11151000544561

Spring-loaded Caster with rear brake, Welded Caster Fork Blue painted finish, Mounting Type - Top Plate, 140x85 Bolt Hole Spacing Cast Iron core, High Quality Polyurethane Wheel Tread Cast Iron brown, Bearing – Ball Bearings

Wheel tread: Made of high-quality polyurethane  
Wheel Center: iron core/cast iron core

Drawings are for reference only and may differ from the product



Picture may differ from original product

### Technical Data

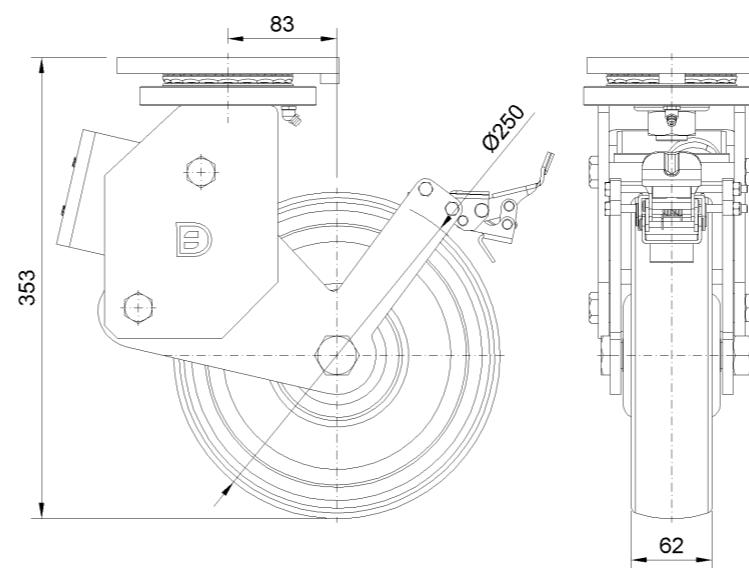
Metric  Imperial

Wheel Diameter	250mm
Wheel Width	62mm
Wheel Bearing	Wheels With Ball Bearings
Plate Size	170 x 130mm
Bolt Hole Spacing	140x85mm
Plate Hole	22 x 13mm
Offset	83mm
Swivel Interference	510mm
Overall Height	353mm
Swivel Radius	255mm
Hardness Of Tread	92±5° Shore A
Load Capacity (Dynamic)	600kgs
Load Capacity (Static)	900kgs
Temperature	-20°C to +70°C
Fork Type	Swivel Caster With Rear Brake
Stainless	N/A
Electrical Conductivity	N/A
Anti-Static	N/A
Weight	17.06kgs
Standard	ISO22883

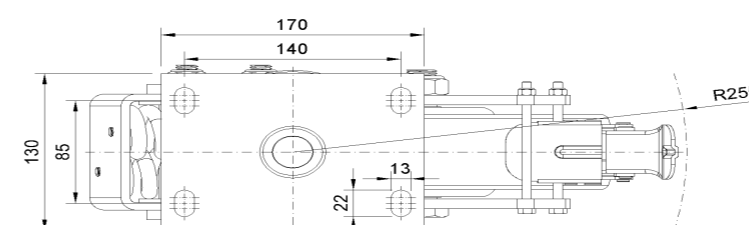
### Advantages at a glance

Rolling Resistance	•••••
Operating Noise	•••••
Floor Surface Preservation	•••••

### Dimensions



### Mounting



\* For any deviation between metric and imperial spec, please refer to the metric spec.