

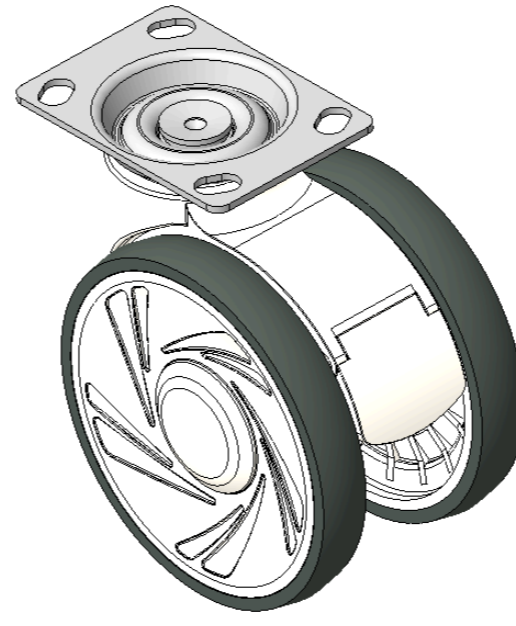
1146 46 Ascendant Series Caster Series(All Plastic)



Double-Ball Full-Effect Wheel (White-Dark Gray) Wheel Diameter × Wheel Width 125 × 18mm

EAN

KS-11460500451033



Drawings are for reference only and may differ from the product

Picture may differ from original product

Technical Data

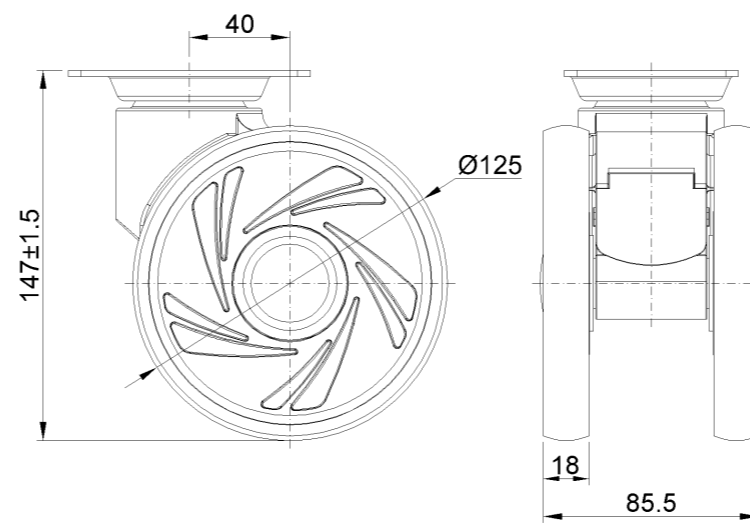
Imperial Metric

| | |
|-------------------------|---------------------------|
| Wheel Diameter | 5 " |
| Wheel Width | 3-1/4 |
| Wheel Bearing | Wheels With Ball Bearings |
| Plate Size | 3-7/8 " x 2-3/4 " |
| Bolt Hole Spacing | 3 " x 2 " |
| Plate Hole | 3/8 " x 5/8 " |
| Offset | 1-5/8 " |
| Overall Height | 5-7/8 " |
| Hardness Of Tread | 72±5° Shore A |
| Load Capacity (Dynamic) | 243lbs |
| Load Capacity (Static) | 364lbs |
| Temperature | -4°F to +140°F |
| Fork Type | Rigid Caster |
| Stainless | N/A |
| Electrical Conductivity | N/A |
| Anti-Static | N/A |
| Weight | 1.7lbs |
| Standard | ISO22881 |

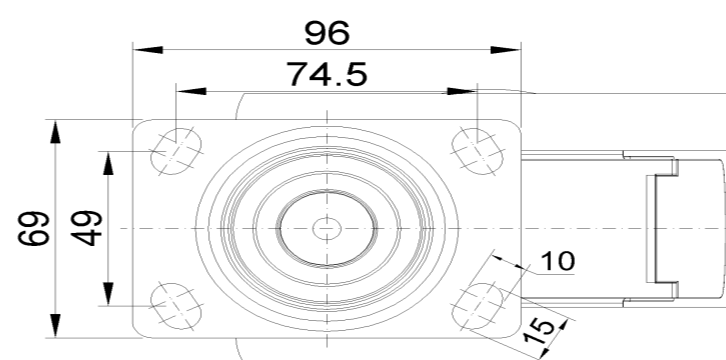
Advantages at a glance

| | |
|----------------------------|-----------|
| Rolling Resistance | ● ● ● ● ● |
| Operating Noise | ● ● ● ● ● |
| Floor Surface Preservation | ● ● ● ● ● |

Dimensions



Mounting



* For any deviation between metric and imperial spec, please refer to the metric spec.