

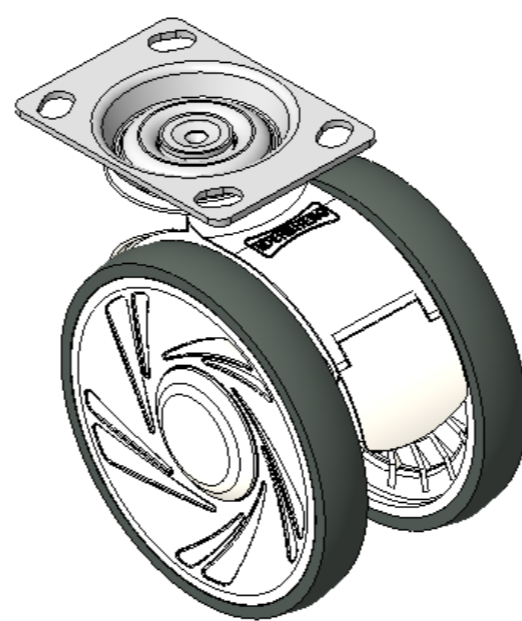
# 1146 46 Ascendant Series Caster Series(All Plastic)



Double-Ball Full-Effect Wheel (White-Dark Gray) Wheel Diameter × Wheel Width 125 × 18mm

EAN

KS-11460500452533



Picture may differ from original product

Drawings are for reference only and may differ from the product

## Technical Data

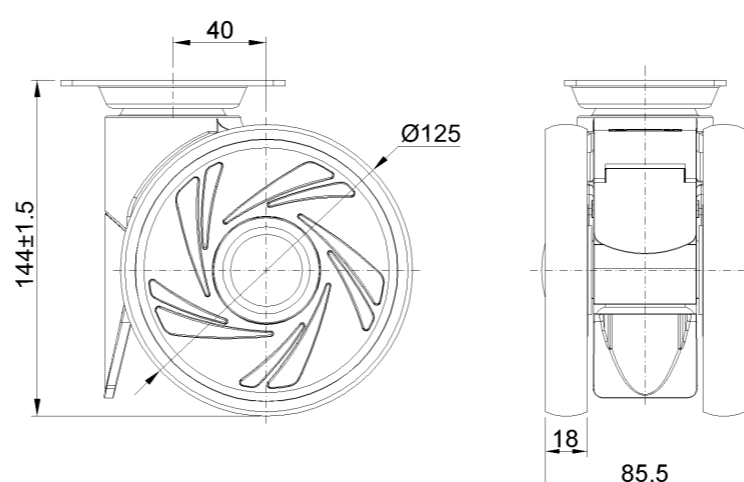
Metric  Imperial

|                         |                           |
|-------------------------|---------------------------|
| Wheel Diameter          | 125mm                     |
| Wheel Width             | 85.5mm                    |
| Wheel Bearing           | Wheels With Ball Bearings |
| Plate Size              | 96 x 69mm                 |
| Bolt Hole Spacing       | 74.5 x 49mm               |
| Plate Hole              | 10 x 15mm                 |
| Offset                  | 40mm                      |
| Swivel Interference     | 220mm                     |
| Overall Height          | 144mm                     |
| Swivel Radius           | 110mm                     |
| Hardness Of Tread       | 72±5° Shore A             |
| Load Capacity (Dynamic) | 110kgs                    |
| Load Capacity (Static)  | 165kgs                    |
| Temperature             | -20°C to +60°C            |
| Fork Type               | Swivel Caster             |
| Stainless               | N/A                       |
| Electrical Conductivity | N/A                       |
| Anti-Static             | N/A                       |
| Weight                  | 0.76kgs                   |
| Standard                | ISO22881                  |

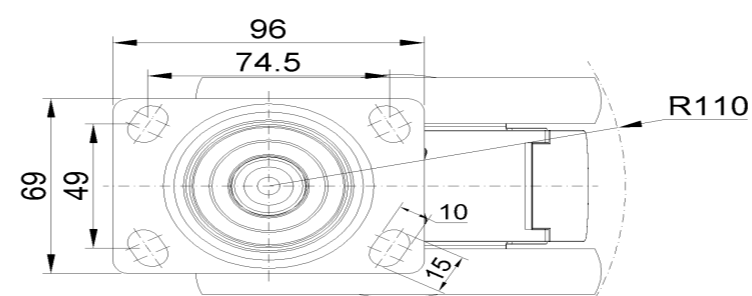
## Advantages at a glance

|                            |       |
|----------------------------|-------|
| Rolling Resistance         | ●●●●● |
| Operating Noise            | ●●●●● |
| Floor Surface Preservation | ●●●●● |

## Dimensions



## Mounting



\* For any deviation between metric and imperial spec, please refer to the metric spec.