

# 1146 46 Ascendant Series Caster Series(All Plastic)



Double-Ball Full-Effect Wheel (White-Dark Gray with Large Wheel Cover) Wheel  
 Diameter × Wheel Width

EAN

KS-11460500454763



Picture may differ from original product

Drawings are for reference only and may differ from the product

## Technical Data

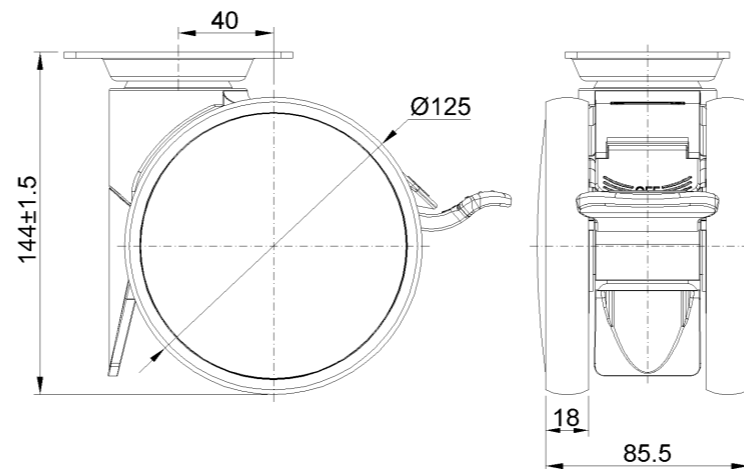
Imperial  Metric

|                         |                                |
|-------------------------|--------------------------------|
| Wheel Diameter          | 5 "                            |
| Wheel Width             | 3-3/8 "                        |
| Wheel Bearing           | Wheels With Ball Bearings      |
| Plate Size              | 3-7/8 " x 2-3/4 "              |
| Bolt Hole Spacing       | 3 " x 2 "                      |
| Plate Hole              | 3/8 " x 5/8 "                  |
| Offset                  | 1-5/8 "                        |
| Swivel Interference     | 11-3/16 "                      |
| Overall Height          | 5-3/4 "                        |
| Swivel Radius           | 4-3/8 "                        |
| Hardness Of Tread       | 72±5° Shore A                  |
| Load Capacity (Dynamic) | 243lbs                         |
| Load Capacity (Static)  | 364lbs                         |
| Temperature             | -4°F to +140°F                 |
| Fork Type               | Swivel Caster With Total Brake |
| Stainless               | N/A                            |
| Electrical Conductivity | N/A                            |
| Anti-Static             | N/A                            |
| Weight                  | 1.9lbs                         |
| Standard                | ISO22881                       |

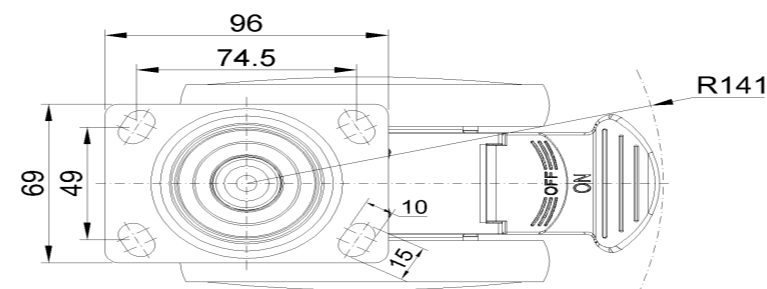
## Advantages at a glance

|                            |       |
|----------------------------|-------|
| Rolling Resistance         | ●●●●● |
| Operating Noise            | ●●●●● |
| Floor Surface Preservation | ●●●●● |

## Dimensions



## Mounting



\* For any deviation between metric and imperial spec, please refer to the metric spec.