

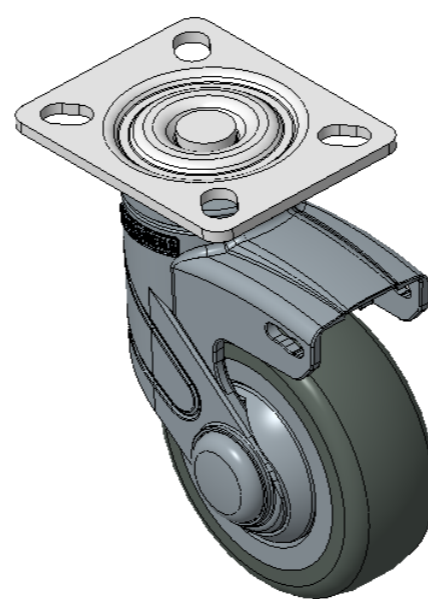
1155 STAT Series Caster Series (All Plastic)



Resolute (blue gray) Wheel Diameter x Wheel Width 75 x 27mm

EAN

KS-11550300451033



Drawings are for reference only and may differ from the product

Picture may differ from original product

Technical Data

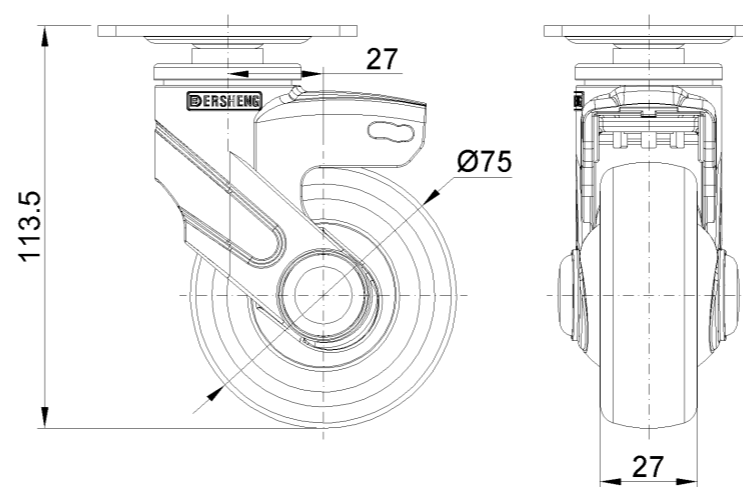
Metric Imperial

Wheel Diameter	75mm
Wheel Width	27mm
Wheel Bearing	Wheels With Ball Bearings
Plate Size	73 x 59mm
Bolt Hole Spacing	53x39.25mm
Plate Hole	8.5 x 12.5mm
Overall Height	113.5mm
Hardness Of Tread	72±5° Shore A
Load Capacity (Dynamic)	75kgs
Load Capacity (Static)	112.5kgs
Temperature	-20°C to +60°C
Fork Type	Rigid Caster
Stainless	N/A
Electrical Conductivity	N/A
Anti-Static	N/A
Weight	0.35kgs
Standard	ISO22881

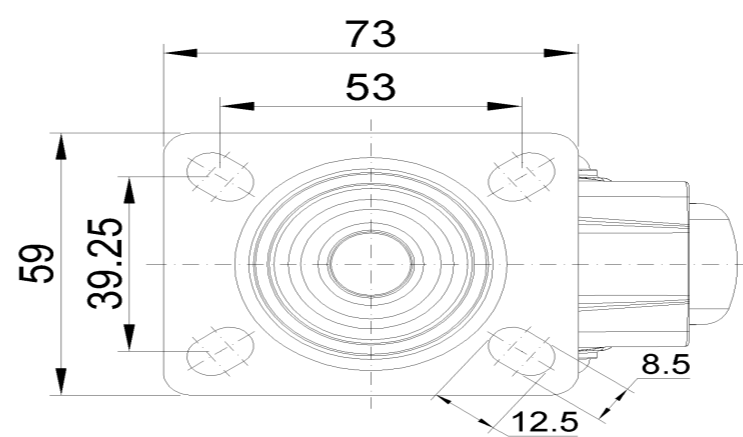
Advantages at a glance

Rolling Resistance	•••••
Operating Noise	•••••
Floor Surface Preservation	•••••

Dimensions



Mounting



* For any deviation between metric and imperial spec, please refer to the metric spec.