

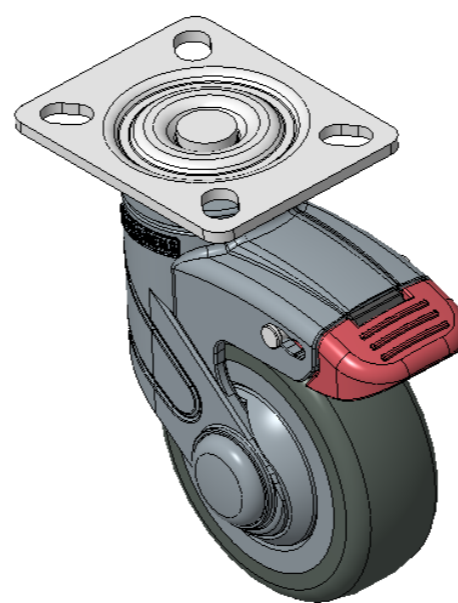
1155 STAT Series Caster Series (All Plastic)



Resolute (blue gray) Wheel Diameter x Wheel Width 75 x 27mm

EAN

KS-11550300454113



Drawings are for reference only and may differ from the product

Picture may differ from original product

Technical Data

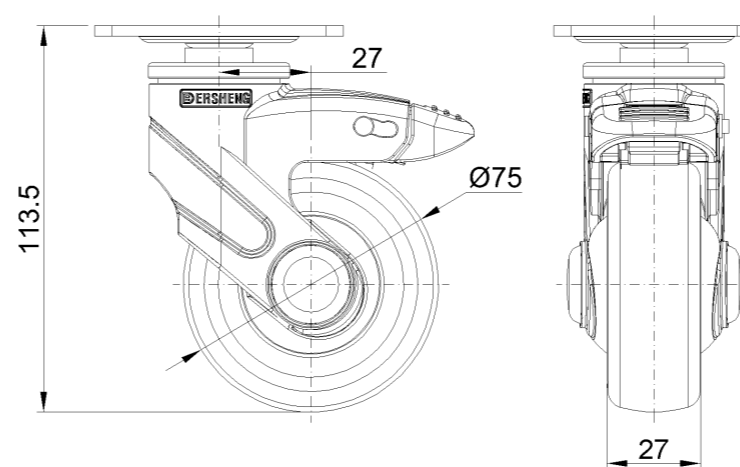
Metric Imperial

| | |
|-------------------------|--------------------------------|
| Wheel Diameter | 75mm |
| Wheel Width | 27mm |
| Wheel Bearing | Wheels With Ball Bearings |
| Plate Size | 73 x 59mm |
| Bolt Hole Spacing | 53x39.25mm |
| Plate Hole | 8.5 x 12.5mm |
| Offset | 27mm |
| Swivel Interference | 150mm |
| Overall Height | 113.5mm |
| Swivel Radius | 75mm |
| Hardness Of Tread | 72±5° Shore A |
| Load Capacity (Dynamic) | 75kgs |
| Load Capacity (Static) | 112.5kgs |
| Temperature | -20°C to +60°C |
| Fork Type | Swivel Caster With Total Brake |
| Stainless | N/A |
| Electrical Conductivity | N/A |
| Anti-Static | N/A |
| Weight | 0.40kgs |
| Standard | ISO22881 |

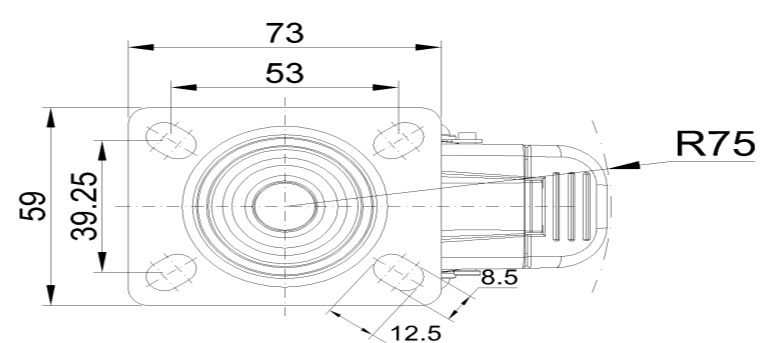
Advantages at a glance

| | |
|----------------------------|-------|
| Rolling Resistance | ••••• |
| Operating Noise | ••••• |
| Floor Surface Preservation | ••••• |

Dimensions



Mounting



* For any deviation between metric and imperial spec, please refer to the metric spec.