

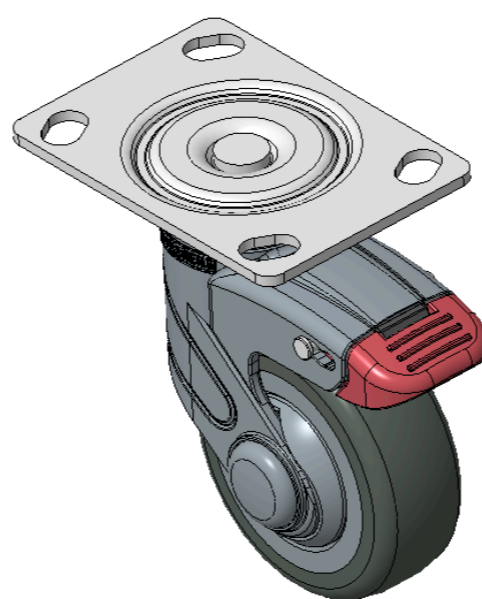
# 1155 STAT Series Caster Series (All Plastic)



Resolute (blue gray) Wheel Diameter x Wheel Width 75 x 27mm

EAN

KS-11550300454123



Drawings are for reference only and may differ from the product

Picture may differ from original product

## Technical Data

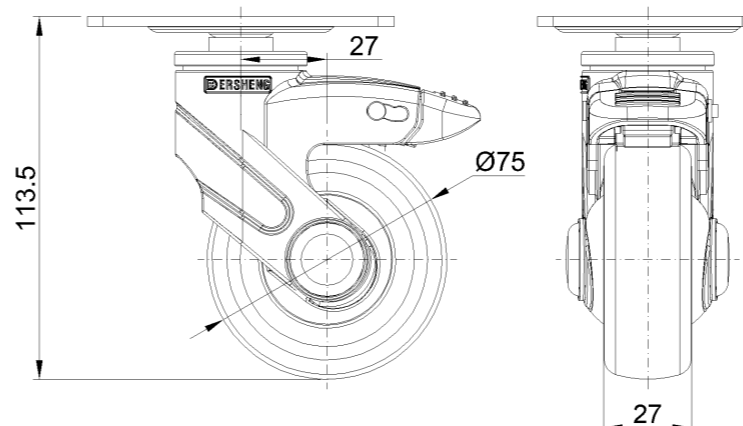
Metric  Imperial

Wheel Diameter	75mm
Wheel Width	27mm
Wheel Bearing	Wheels With Ball Bearings
Plate Size	96 x 69mm
Bolt Hole Spacing	74.5 x 49mm
Plate Hole	10 x 15mm
Offset	27mm
Swivel Interference	150mm
Overall Height	113.5mm
Swivel Radius	75mm
Hardness Of Tread	72±5° Shore A
Load Capacity (Dynamic)	75kgs
Load Capacity (Static)	112.5kgs
Temperature	-20°C to +60°C
Fork Type	Swivel Caster With Total Brake
Stainless	N/A
Electrical Conductivity	N/A
Anti-Static	N/A
Weight	0.45kgs
Standard	ISO22881

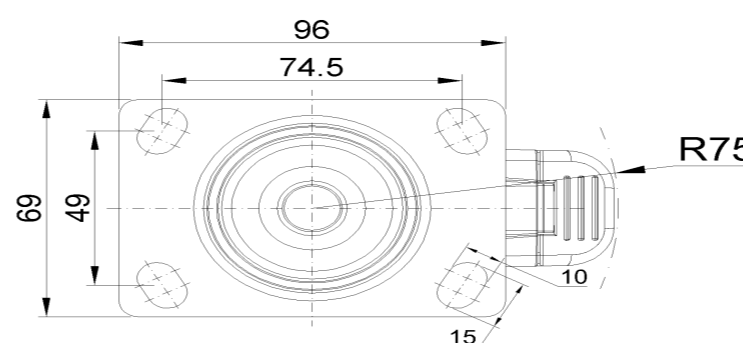
## Advantages at a glance

Rolling Resistance	•••••
Operating Noise	•••••
Floor Surface Preservation	•••••

## Dimensions



## Mounting



\* For any deviation between metric and imperial spec, please refer to the metric spec.