

1155 STAT Series Caster Series (All Plastic)

PPR (Blue Grey Dark Grey Plain Bearing Hub Lenth 37) Wheel Diameter x Wheel Width 100 x 31mm

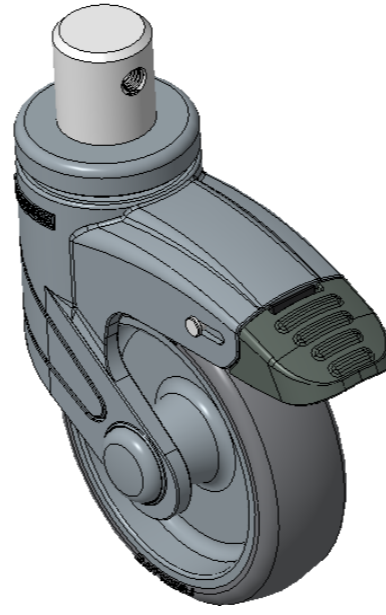
EAN

KS-11550402268273

Total Brake With locking system Casters, pin rivets—Ø28x30L
 Blue-gray legs made of polyamide reinforcement, pin-mounted installation
 Rust-proof, Corrosion resistant, Attractive appearance, Economical, and Smooth rotation
 High-Quality Impact-Resistant Polypropylene Wheel Center, High-Quality Reinforced Polypropylene Rubber (TPR) Wheel Tread
 Dark gray, wheels—Plain Bearing

Wheel tread: Thermoplastic rubber elastomer (TPR)
 Wheel Center: Made of high-quality impact-resistant polypropylene

Drawings are for reference only and may differ from the product



Picture may differ from original product

Technical Data

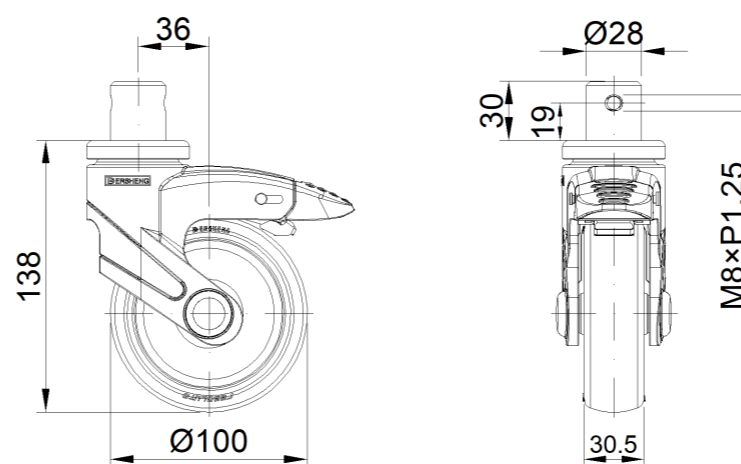
Imperial Metric

Wheel Diameter	4 "
Wheel Width	1-1/4 "
Wheel Bearing	Wheel With Plain Bearing
Stem Diameter	1-1/8 "
Stem Length	1-3/16 "
Offset	1-7/16 "
Swivel Interference	9 "
Overall Height	5-1/2 "
Swivel Radius	4-1/2 "
Hardness Of Tread	82±5° Shore A
Load Capacity (Dynamic)	198lbs
Load Capacity (Static)	298lbs
Temperature	-4°F to +140°F
Fork Type	Swivel Caster With Total Brake
Stainless	N/A
Electrical Conductivity	N/A
Anti-Static	N/A
Weight	1.6lbs
Standard	ISO22883

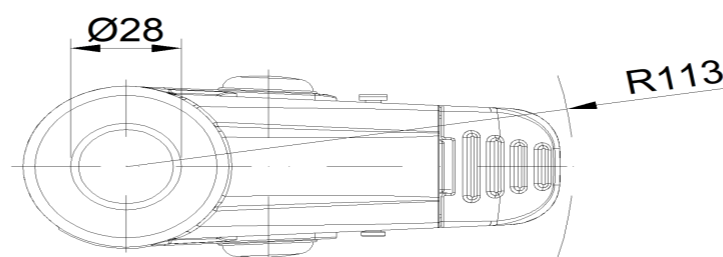
Advantages at a glance

Rolling Resistance	● ● ● ● ○
Operating Noise	● ● ● ● ○
Floor Surface Preservation	● ● ● ● ●

Dimensions



Mounting



* For any deviation between metric and imperial spec, please refer to the metric spec.