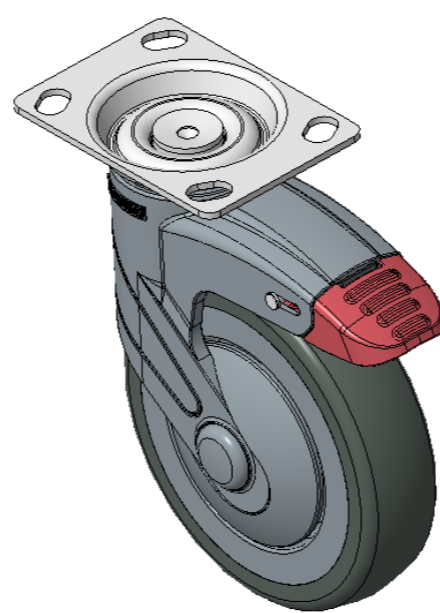


1155 STAT Series Caster Series (All Plastic)

Resolute (Middle Tube Blue-Gray Dark Gray) Wheel Diameter×Wheel Width 125×31mm

EAN

KS-11550500454143



Drawings are for reference only and may differ from the product

Picture may differ from original product

Technical Data

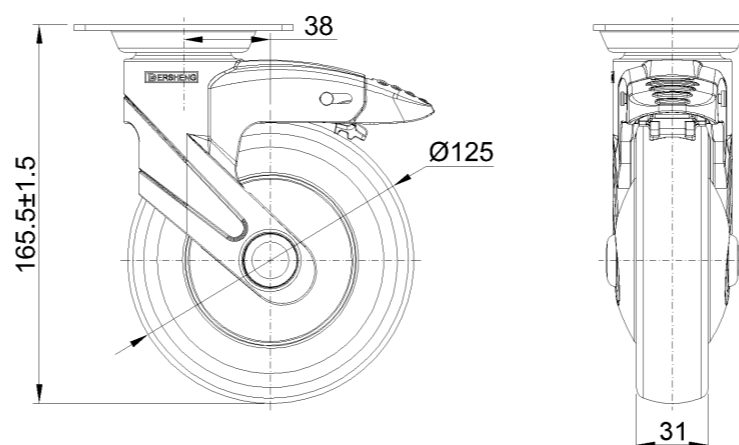
Metric Imperial

| | |
|-------------------------|--------------------------------|
| Wheel Diameter | 125mm |
| Wheel Width | 31mm |
| Wheel Bearing | Wheel With Plain Bearing |
| Plate Size | 96 x 69mm |
| Bolt Hole Spacing | 74.5 x 49mm |
| Plate Hole | 10 x 15mm |
| Offset | 38mm |
| Swivel Interference | 226mm |
| Overall Height | 165.5mm |
| Swivel Radius | 113mm |
| Hardness Of Tread | 72±5° Shore A |
| Load Capacity (Dynamic) | 100kgs |
| Load Capacity (Static) | 150kgs |
| Temperature | -20°C to +60°C |
| Fork Type | Swivel Caster With Total Brake |
| Stainless | N/A |
| Electrical Conductivity | N/A |
| Anti-Static | N/A |
| Weight | 0.95kgs |
| Standard | ISO22881 |

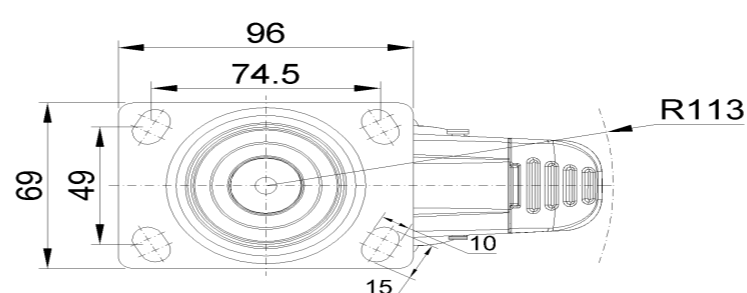
Advantages at a glance

| | |
|----------------------------|-------|
| Rolling Resistance | ••••• |
| Operating Noise | ••••• |
| Floor Surface Preservation | ••••• |

Dimensions



Mounting



* For any deviation between metric and imperial spec, please refer to the metric spec.