

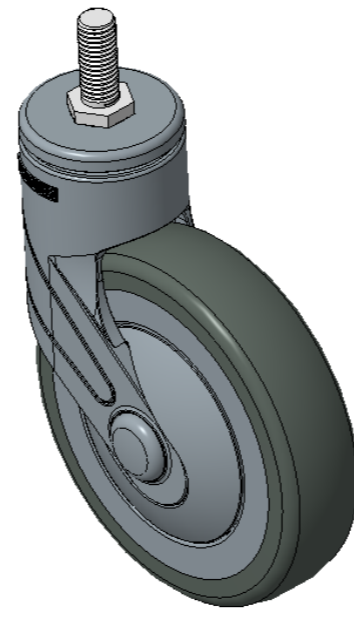
1155 STAT Series Caster Series (All Plastic)



Resolute (blue gray) Wheel Diameter × Wheel Width 125 x 31mm

EAN

KS-11550500455133



Picture may differ from original product

Drawings are for reference only and may differ from the product

Technical Data

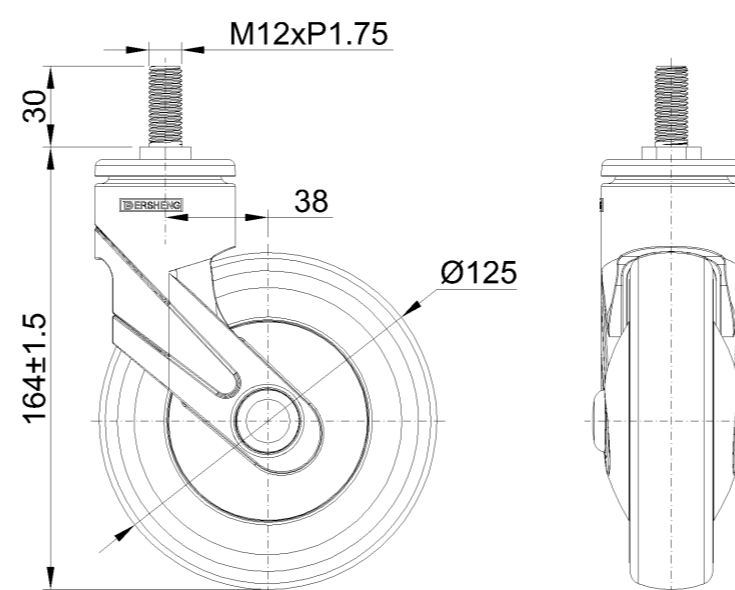
Metric Imperial

Wheel Diameter	125mm
Wheel Width	031mm
Wheel Bearing	Wheels With Ball Bearings
Threaded Stem	M12
Threaded Length	30mm
Offset	38mm
Swivel Interference	201mm
Overall Height	164mm
Swivel Radius	100.5mm
Hardness Of Tread	72±5° Shore A
Load Capacity (Dynamic)	100kgs
Load Capacity (Static)	150kgs
Temperature	-20°C to +60°C
Fork Type	Swivel Caster
Stainless	N/A
Electrical Conductivity	N/A
Anti-Static	N/A
Weight	0.62kgs
Standard	ISO22881

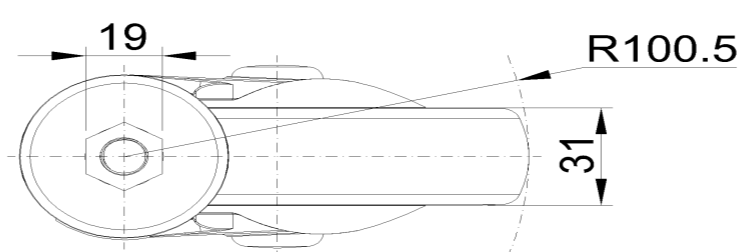
Advantages at a glance

Rolling Resistance	●●●●●
Operating Noise	●●●●●
Floor Surface Preservation	●●●●●

Dimensions



Mounting



* For any deviation between metric and imperial spec, please refer to the metric spec.