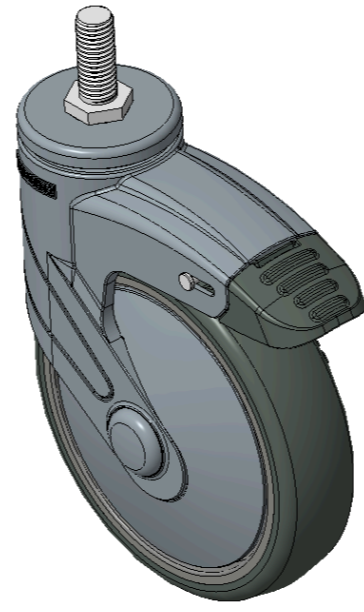


1155 STAT Series Caster Series (All Plastic)

Classic PPR Wheel (Pearlescent Dark Gray) Wheel Diameter×Wheel Width 125×31mm

EAN

KS-11550502266693



Picture may differ from original product

Drawings are for reference only and may differ from the product

Technical Data

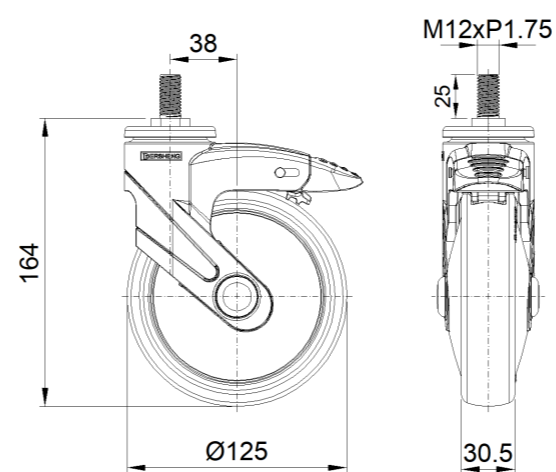
Metric Imperial

| | |
|-------------------------|--------------------------------|
| Wheel Diameter | 125mm |
| Wheel Width | 30.5mm |
| Wheel Bearing | Wheels With Ball Bearings |
| Threaded Stem | M12 |
| Threaded Length | 30mm |
| Offset | 38mm |
| Swivel Interference | 226mm |
| Overall Height | 164mm |
| Swivel Radius | 113mm |
| Hardness Of Tread | 82±5° Shore A |
| Load Capacity (Dynamic) | 90kgs |
| Load Capacity (Static) | 135kgs |
| Temperature | -20°C to +60°C |
| Fork Type | Swivel Caster With Total Brake |
| Stainless | N/A |
| Electrical Conductivity | N/A |
| Anti-Static | N/A |
| Weight | 0.82kgs |
| Standard | ISO22881 |

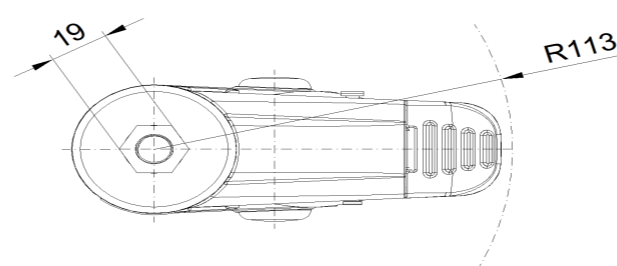
Advantages at a glance

| | |
|----------------------------|-------|
| Rolling Resistance | ●●●●○ |
| Operating Noise | ●●●●○ |
| Floor Surface Preservation | ●●●●● |

Dimensions



Mounting



* For any deviation between metric and imperial spec, please refer to the metric spec.