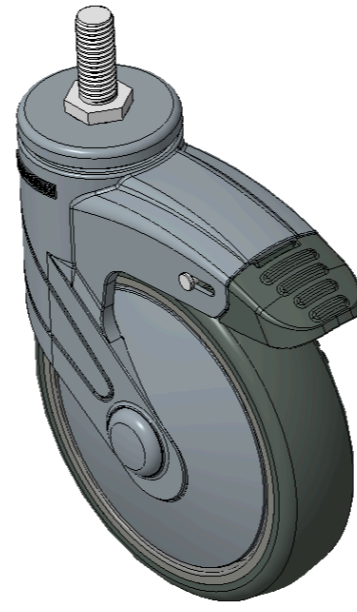


## 1155 STAT Series Caster Series (All Plastic)

Classic PPR Wheel (Pearlescent Dark Gray) Wheel Diameter×Wheel Width 125×31mm

EAN

KS-11550502266693



Picture may differ from original product

Drawings are for reference only and may differ from the product

### Technical Data

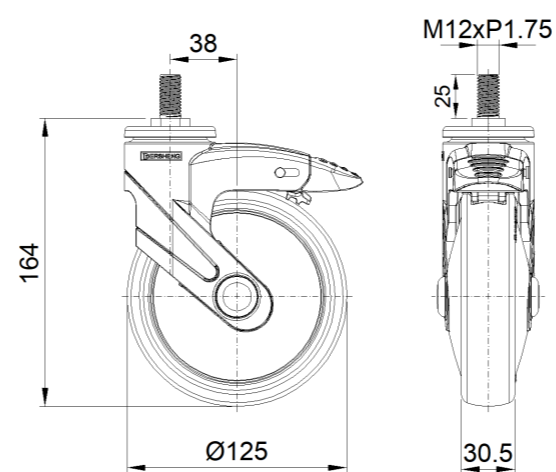
Imperial  Metric

|                         |                                |
|-------------------------|--------------------------------|
| Wheel Diameter          | 5 "                            |
| Wheel Width             | 1-1/4 "                        |
| Wheel Bearing           | Wheels With Ball Bearings      |
| Threaded Stem           | M12                            |
| Threaded Length         | 1-3/16 "                       |
| Offset                  | 1-1/2 "                        |
| Swivel Interference     | 9 "                            |
| Overall Height          | 6-1/2 "                        |
| Swivel Radius           | 4-1/2 "                        |
| Hardness Of Tread       | 82±5° Shore A                  |
| Load Capacity (Dynamic) | 198lbs                         |
| Load Capacity (Static)  | 298lbs                         |
| Temperature             | -4°F to +140°F                 |
| Fork Type               | Swivel Caster With Total Brake |
| Stainless               | N/A                            |
| Electrical Conductivity | N/A                            |
| Anti-Static             | N/A                            |
| Weight                  | 1.8lbs                         |
| Standard                | ISO22881                       |

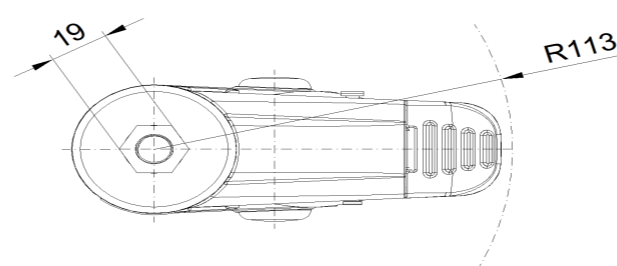
### Advantages at a glance

|                            |       |
|----------------------------|-------|
| Rolling Resistance         | ●●●●○ |
| Operating Noise            | ●●●●○ |
| Floor Surface Preservation | ●●●●● |

### Dimensions



### Mounting



\* For any deviation between metric and imperial spec, please refer to the metric spec.