

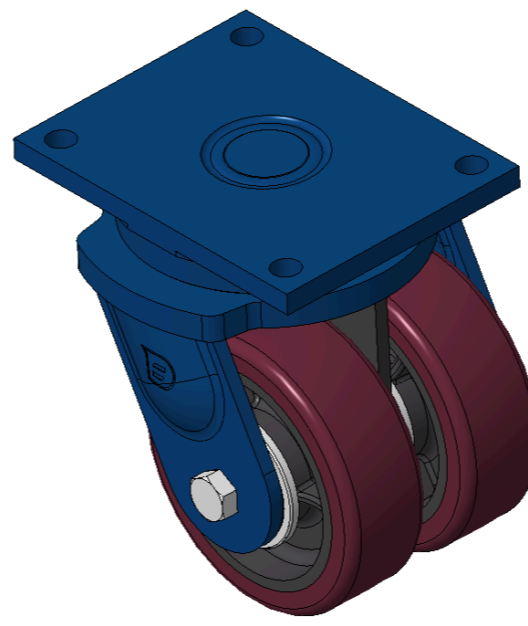
1162D Super Heavy Duty Casters Series (Double Wheel)



VXPU Wheel (Wine Red Arc) Wheel Diameter × Wheel Width 200×65mm

EAN

KS-11620800692331



Picture may differ from original product

Drawings are for reference only and may differ from the product

Technical Data

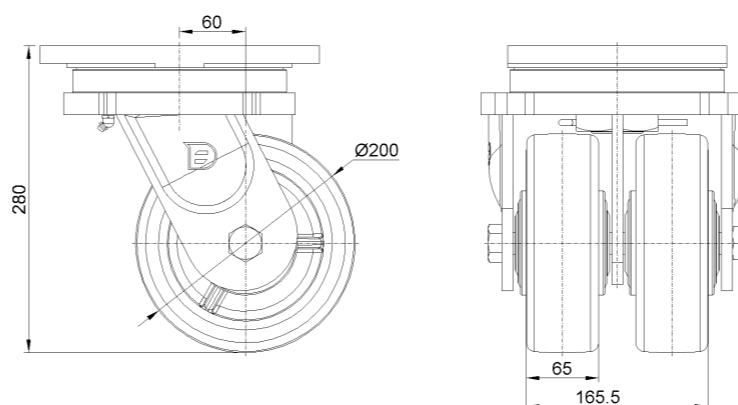
Metric Imperial

Wheel Diameter	200mm
Wheel Width	165mm
Wheel Bearing	Wheels With Ball Bearings
Plate Size	255 x 200mm
Bolt Hole Spacing	210 x 160mm
Plate Hole	21mm
Offset	60mm
Swivel Interference	358mm
Overall Height	280mm
Swivel Radius	179mm
Hardness Of Tread	93±5° Shore A
Load Capacity (Dynamic)	1800kgs
Load Capacity (Static)	2700kgs
Temperature	-20°C to +70°C
Fork Type	Swivel Caster
Stainless	N/A
Electrical Conductivity	N/A
Anti-Static	N/A
Weight	28.88kgs
Standard	ISO22883

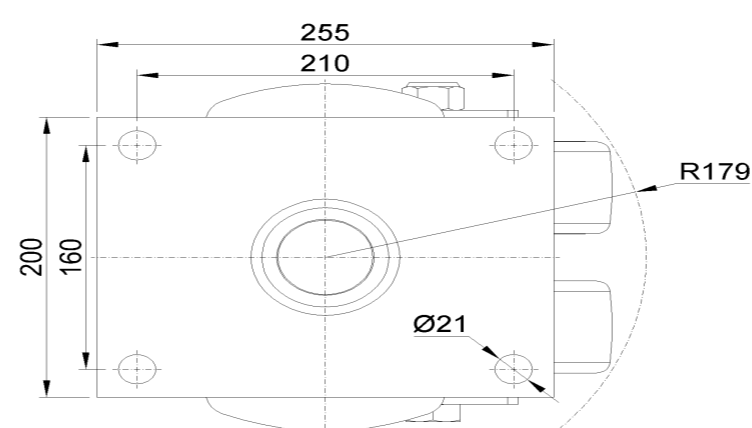
Advantages at a glance

Rolling Resistance	●●●○○
Operating Noise	●●●●○
Floor Surface Preservation	●●●●○

Dimensions



Mounting



* For any deviation between metric and imperial spec, please refer to the metric spec.