

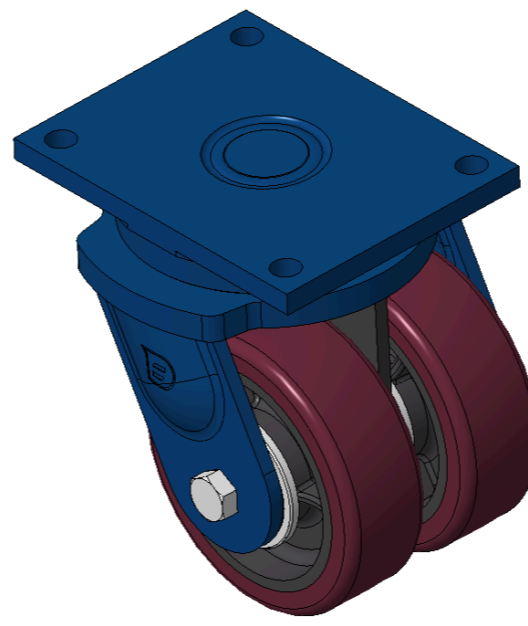
1162D Super Heavy Duty Casters Series (Double Wheel)



VXPU Wheel (Wine Red Arc) Wheel Diameter × Wheel Width 200×65mm

EAN

KS-11620800692331



Picture may differ from original product

Drawings are for reference only and may differ from the product

Technical Data

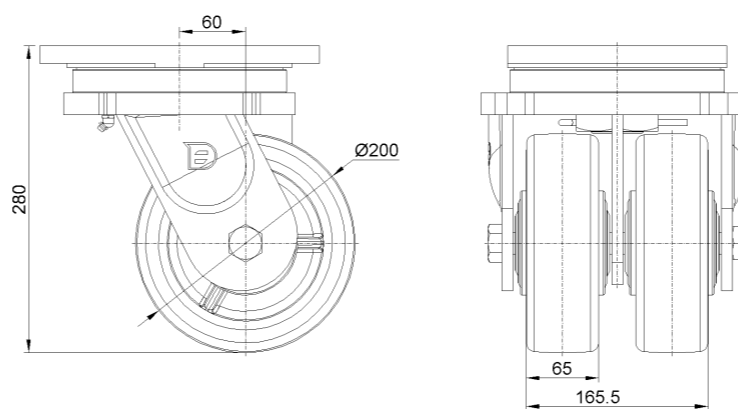
Imperial Metric

Wheel Diameter	8 "
Wheel Width	6-1/2 "
Wheel Bearing	Wheels With Ball Bearings
Plate Size	10-1/16 " x 8 "
Bolt Hole Spacing	8-17/64 " x 6-19/64 "
Plate Hole	7/8 "
Offset	2-7/16 "
Swivel Interference	14 "
Overall Height	11-1/16 "
Swivel Radius	7-1/16 "
Hardness Of Tread	93±5° Shore A
Load Capacity (Dynamic)	3968lbs
Load Capacity (Static)	5952lbs
Temperature	-4°F to +158°F
Fork Type	Swivel Caster
Stainless	N/A
Electrical Conductivity	N/A
Anti-Static	N/A
Weight	63.7lbs
Standard	ISO22883

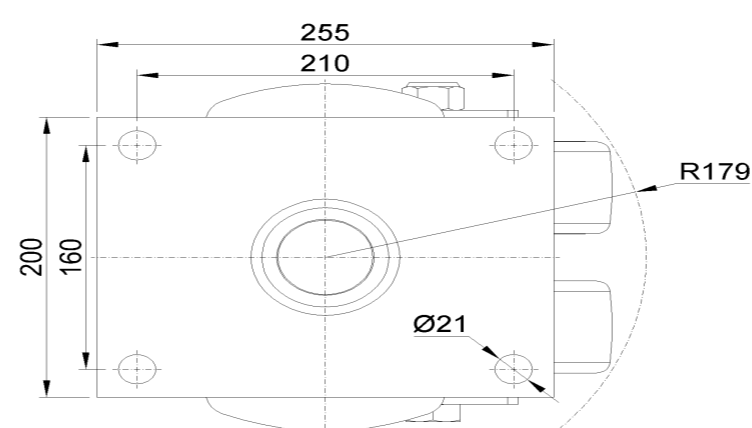
Advantages at a glance

Rolling Resistance	●●●○○
Operating Noise	●●●●○
Floor Surface Preservation	●●●●○

Dimensions



Mounting



* For any deviation between metric and imperial spec, please refer to the metric spec.