

## 1121 Double Raceway, Light Duty Caster Series

PP wheel (black) Wheel diameter x wheel width 125 x 27 mm

EAN

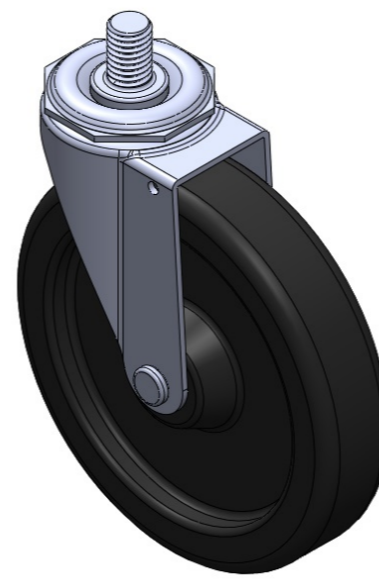
TW-112105002A008

Portable Casters, Threaded Stem Stamping Fork—1/2"-13 teeth; Zine-Plated surface, Mounting Type - Threaded Stem; polypropylene Wheel Center and rim; black; Plain Bearing.

Wheel surface: Polypropylene

Wheel Center: Polypropylene

Drawings are for reference only and may differ from the product



Picture may differ from original product

### Technical Data

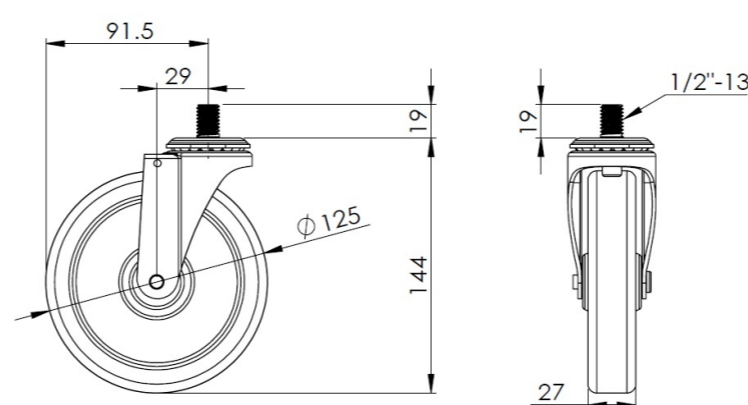
Metric  Imperial

Wheel Diameter	125mm
Wheel Width	27mm
Wheel Bearing	Wheel With Plain Bearing
Threaded Stem	1/2" -13
Threaded Length	19mm
Offset	29mm
Swivel Interference	183mm
Overall Height	144mm
Swivel Radius	91.5mm
Hardness Of Tread	65±5° Shore D
Load Capacity (Dynamic)	90kgs
Load Capacity (Static)	135kgs
Temperature	-10°C to +60°C
Fork Type	Swivel Caster
Stainless	N/A
Electrical Conductivity	N/A
Anti-Static	N/A
Weight	0.42kgs
Standard	ISO22883

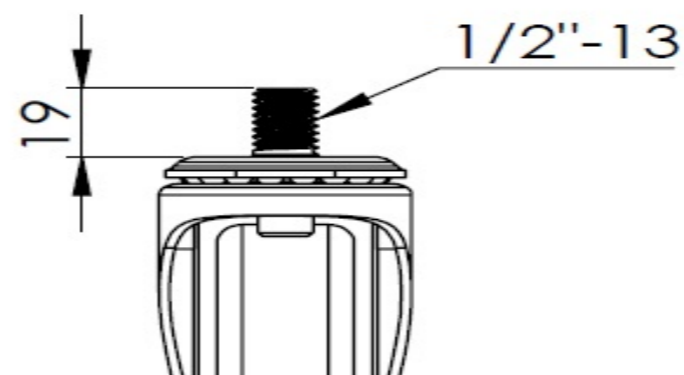
### Advantages at a glance

Rolling Resistance	● ● ● ● ●
Operating Noise	● ● ● ○ ○
Floor Surface Preservation	● ● ● ○ ○

### Dimensions



### Mounting



\* For any deviation between metric and imperial spec, please refer to the metric spec.