

1106 Medical Caster Series



PPR Wheel Diameter × Wheel Width 75 x 31mm

EAN

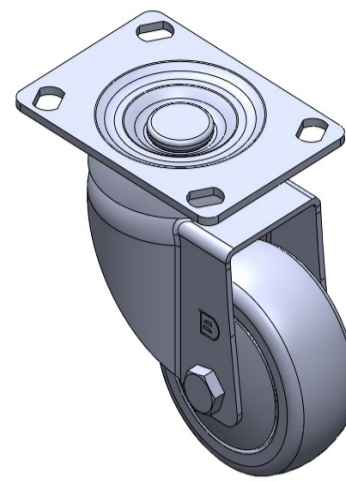
TW-4110603002051

Swivel Caster with Riveted Fork and Stamping bracket – angled hole Zine-Plated, Top Plate (3T) Mounting Type High-quality Impact Resistance Polypropylene core with High-Quality Thermoplastic Rubber (TPR) tread Dark gray, Bearing – Ball Bearing.

Wheel tread: Thermoplastic rubber elastomer (TPR)

Wheel Center: Made of high-quality impact-resistant polypropylene

Drawings are for reference only and may differ from the product



Picture may differ from original product

Technical Data

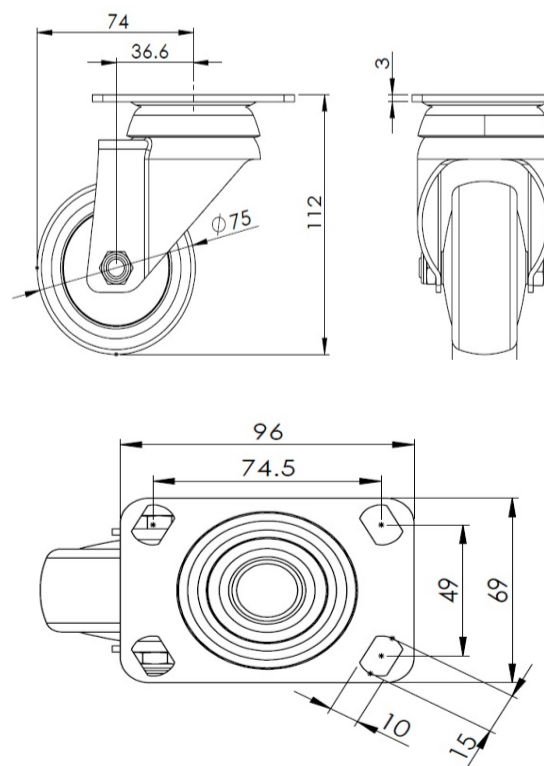
Metric Imperial

Wheel Diameter	75mm
Wheel Width	31mm
Wheel Bearing	Wheels With Ball Bearings
Plate Size	96 x 69mm
Bolt Hole Spacing	74.5 x 49mm
Plate Hole	15 x 10mm
Offset	36.6mm
Swivel Interference	148mm
Overall Height	112mm
Swivel Radius	74mm
Hardness Of Tread	82±5° Shore A
Load Capacity (Dynamic)	70kgs
Load Capacity (Static)	105kgs
Temperature	-20°C to +60°C
Fork Type	Swivel Caster
Stainless	N/A
Electrical Conductivity	N/A
Anti-Static	N/A
Weight	0.60kgs

Advantages at a glance

Rolling Resistance	●●●●○
Operating Noise	●●●●○
Floor Surface Preservation	●●●●●

Dimensions



* For any deviation between metric and imperial spec, please refer to the metric spec.