

1106 Medical Caster Series

PPR Wheel Diameter × Wheel Width 75 x 31mm

EAN

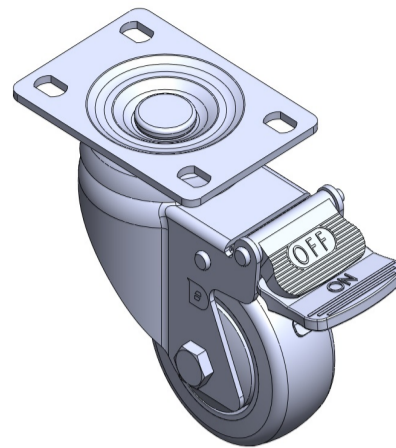
TW-4110603004055

Casters with Total Brakes and a Locking system. Top Plate with Riveted, Stamping Fork and 75 x 45 mm (3" x 1-3/4") Bolt Hole Spacing. Zinc-Plated, Top Plate (3T) Mounting Type system. High-quality Impact Resistance Polypropylene Wheel Center with High-Quality Thermoplastic Rubber (TPR) tread. Dark gray, Bearing with Ball Bearing.

Wheel tread: Thermoplastic rubber elastomer (TPR)

Wheel Center: Made of high-quality impact-resistant polypropylene

Drawings are for reference only and may differ from the product



Picture may differ from original product

Technical Data

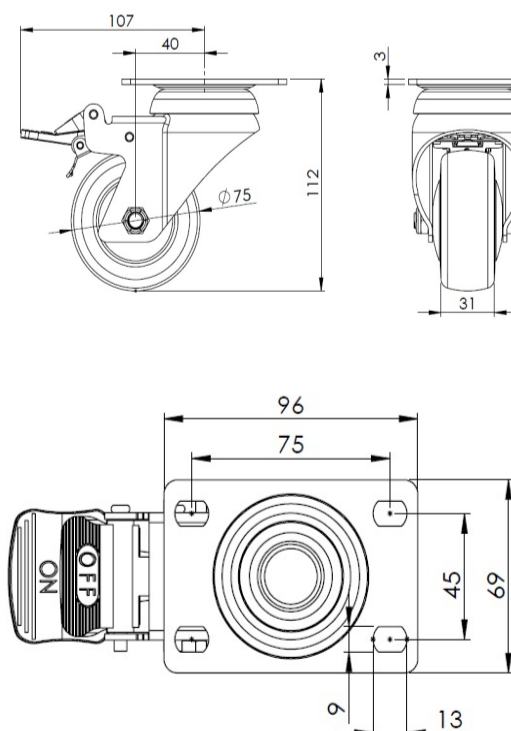
Metric Imperial

Wheel Diameter	75mm
Wheel Width	31mm
Wheel Bearing	Wheels With Ball Bearings
Plate Size	96 x 69mm
Bolt Hole Spacing	75 x 45mm
Plate Hole	13 x 9mm
Offset	40mm
Swivel Interference	214mm
Overall Height	112mm
Swivel Radius	107mm
Hardness Of Tread	82±5° Shore A
Load Capacity (Dynamic)	70kgs
Load Capacity (Static)	105kgs
Temperature	-20°C to +60°C
Fork Type	Swivel Caster With Total Brake
Stainless	N/A
Electrical Conductivity	N/A
Anti-Static	N/A
Weight	0.75kgs

Advantages at a glance

Rolling Resistance	● ● ● ● ○
Operating Noise	● ● ● ● ○
Floor Surface Preservation	● ● ● ● ●

Dimensions



* For any deviation between metric and imperial spec, please refer to the metric spec.