

## 1106 Medical Caster Series

PPR E-conductive Wheel Diameter × Wheel Width 75 x 31mm

EAN

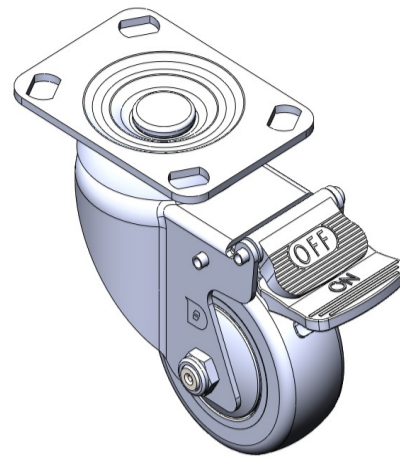
TW-4110603004062

Casters with a Total Brake Locking system. Top Plate with Riveted Stamping Fork 74.5 x 49 mm (3" x 1-7/8") Bolt Hole Spacings. Zinc-Plated, Top Plate (3T) Mounting Type system. High-quality Impact Resistance Polypropylene Wheel Center with High-Quality Thermoplastic Rubber (TPR) tread. Dark gray, Bearing with Ball Bearing.

Wheel tread: Thermoplastic rubber elastomer (TPR)

Wheel Center: Made of high-quality impact-resistant polypropylene

Drawings are for reference only and may differ from the product



Picture may differ from original product

### Technical Data

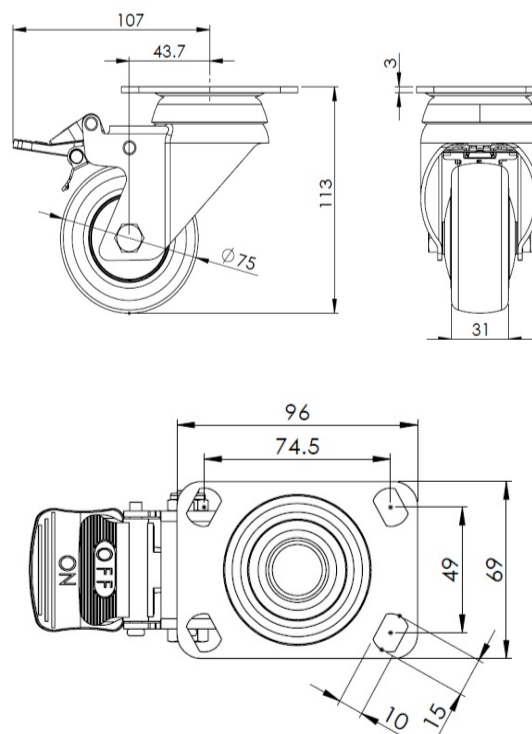
Metric  Imperial

Wheel Diameter	75mm
Wheel Width	31mm
Wheel Bearing	Wheels With Ball Bearings
Plate Size	96 x 69mm
Bolt Hole Spacing	74.5 x 49mm
Plate Hole	15 x 10mm
Offset	43.7mm
Swivel Interference	214mm
Overall Height	113mm
Swivel Radius	107mm
Hardness Of Tread	82±5° Shore A
Load Capacity (Dynamic)	70kgs
Load Capacity (Static)	105kgs
Temperature	-20°C to +60°C
Fork Type	Swivel Caster With Total Brake
Stainless	N/A
Electrical Conductivity	Y 導電値:10 <sup>4</sup> ~10 <sup>6</sup>
Anti-Static	N/A
Weight	0.75kgs

### Advantages at a glance

Rolling Resistance	● ● ● ● ○
Operating Noise	● ● ● ● ○
Floor Surface Preservation	● ● ● ● ●

### Dimensions



\* For any deviation between metric and imperial spec, please refer to the metric spec.