

## 1112 2" Wide General Purposes Caster Series

Phenolic (black) Wheel Diameter × Wheel Width 125 x 50mm

EAN

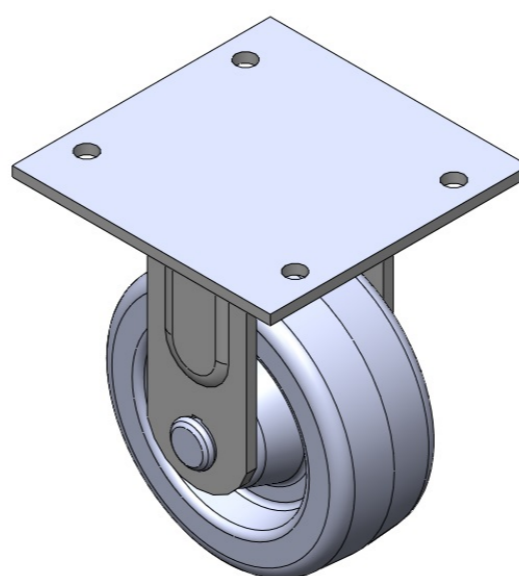
TW-4111205001033

Rigid Caster with Welded Caster Fork Zine-Plated, Mounting Type - Top Plate Phenolic Wheel Black, Bearing—Annual Ball Bearing.

Tread: Compressed synthetic resin impregnated with fabric

Wheel Center: Compressed synthetic resin impregnated with fabric

Drawings are for reference only and may differ from the product



Picture may differ from original product

### Technical Data

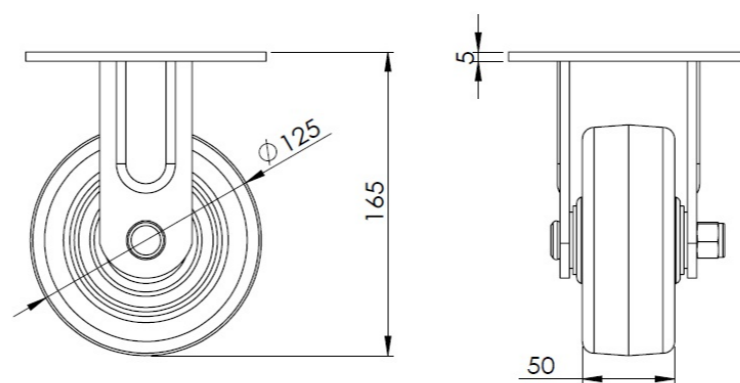
Imperial  Metric

Wheel Diameter	5 "
Wheel Width	2 "
Wheel Bearing	Wheel With Annual Ball Bearing
Plate Size	5-3/16 " x 5-3/16 "
Bolt Hole Spacing	4-1/8 " x 3-1/8 "
Plate Hole	3/8 "
Overall Height	6-1/2 "
Hardness Of Tread	80±5° Shore D
Load Capacity (Dynamic)	882lbs
Load Capacity (Static)	1323lbs
Temperature	-4°F to +302°F
Fork Type	Rigid Caster
Stainless	N/A
Electrical Conductivity	N/A
Anti-Static	N/A
Weight	4.4lbs
Standard	ISO22883

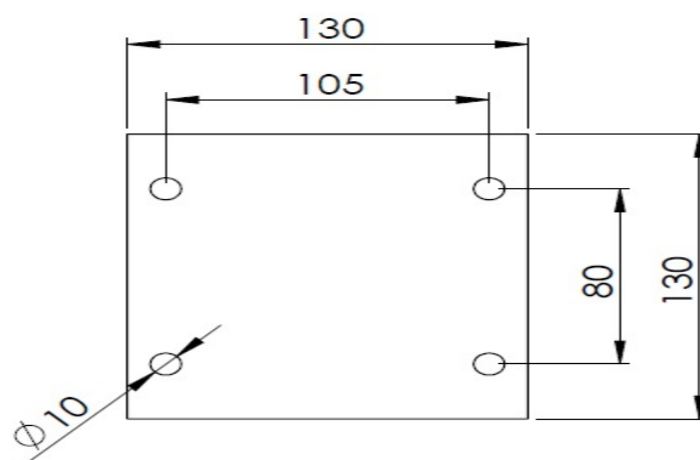
### Advantages at a glance

Rolling Resistance	● ● ● ● ●
Operating Noise	● ● ○ ○ ○
Floor Surface Preservation	● ● ○ ○ ○

### Dimensions



### Mounting



\* For any deviation between metric and imperial spec, please refer to the metric spec.