

1112 2" Wide General Purposes Caster Series

PPR (black) Wheel Diameter × Wheel Width 126 x 50mm

EAN

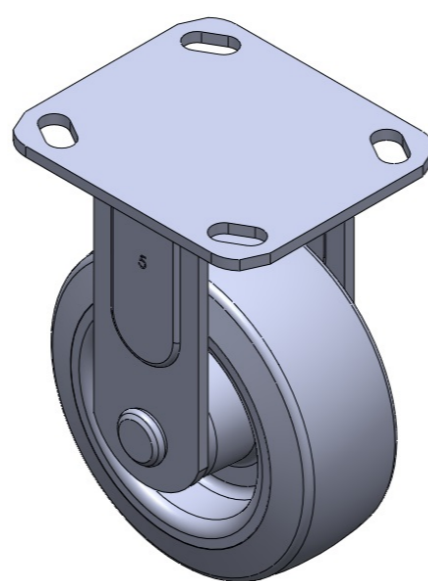
TW-4111205001036

Rigid Caster with Welded Caster Fork Zine-Plated, Mounting Type - Top Plate High-quality Impact Resistance Polypropylene Wheel Center with High-Quality Thermoplastic Rubber (TPR) tread Black, Bearing—precision long bead.

Wheel tread: Thermoplastic rubber elastomer (TPR)

Wheel Center: Made of high-quality impact-resistant polypropylene

Drawings are for reference only and may differ from the product



Picture may differ from original product

Technical Data

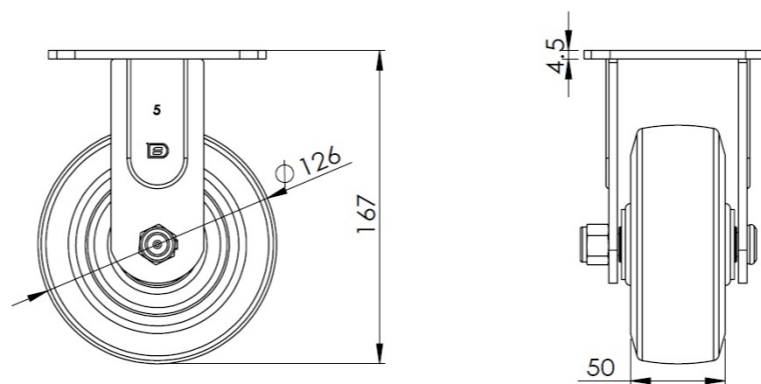
Metric Imperial

Wheel Diameter	126mm
Wheel Width	50mm
Wheel Bearing	Wheel With Annual Ball Bearing
Plate Size	115 x 100mm
Bolt Hole Spacing	85 x 70mm
Plate Hole	20 x 11mm
Offset	54mm
Swivel Interference	260mm
Overall Height	167mm
Swivel Radius	60mm
Hardness Of Tread	82±5° Shore A
Load Capacity (Dynamic)	180kgs
Load Capacity (Static)	270kgs
Temperature	-20°C to +60°C
Fork Type	Rigid Caster
Stainless	N/A
Electrical Conductivity	N/A
Anti-Static	N/A
Weight	1.75kgs
Standard	ISO22883

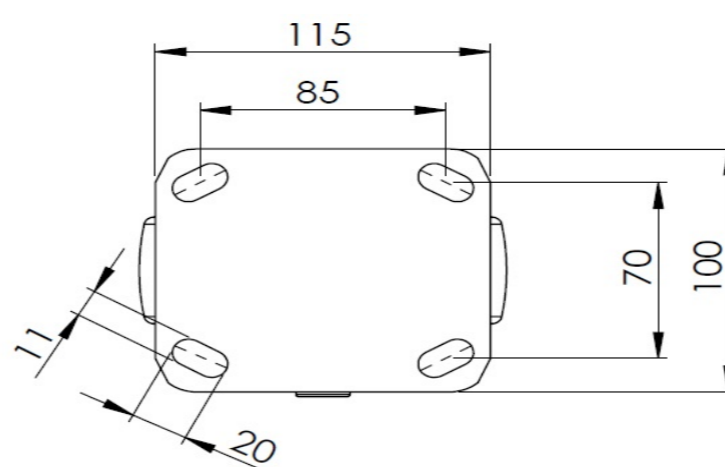
Advantages at a glance

Rolling Resistance	●●●●○
Operating Noise	●●●●○
Floor Surface Preservation	●●●●●

Dimensions



Mounting



* For any deviation between metric and imperial spec, please refer to the metric spec.