

1112 2" Wide General Purposes Caster Series

NBR (black) Wheel Diameter × Wheel Width 125 x 40 mm

EAN

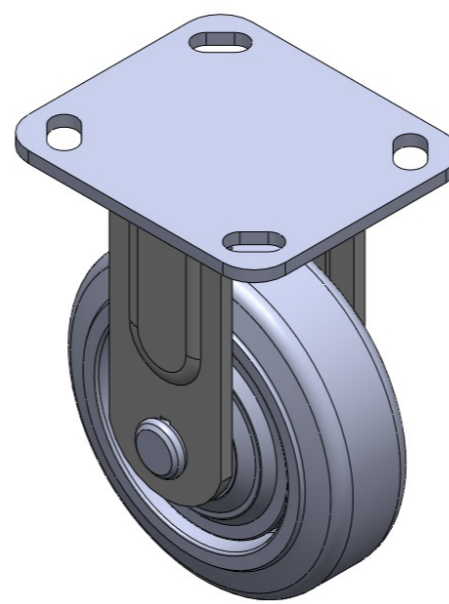
TW-4111205001038

Rigid Caster with Welded Caster Fork Zine-Plated, Mounting Type - Top Plate Cast Iron Wheel Center with High-Quality Resilient Rubber tread Black, Bearing—Ball Bearing.

Wheel Tread: high-quality elastic rubber

Wheel Center: iron core/cast iron core

Drawings are for reference only and may differ from the product



Picture may differ from original product

Technical Data

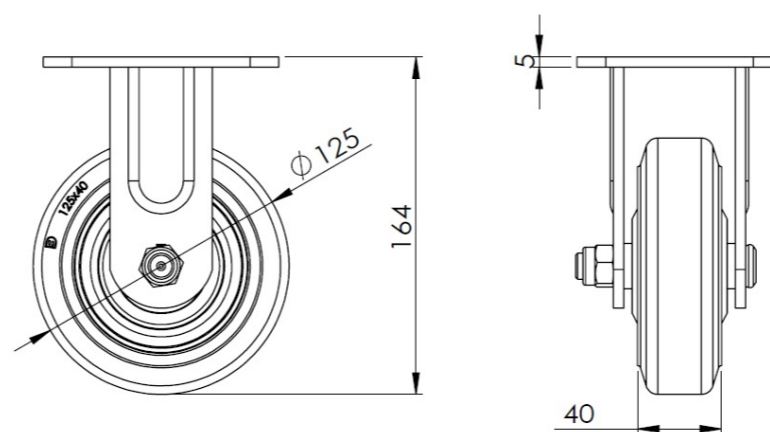
Imperial Metric

Wheel Diameter	5 "
Wheel Width	1-5/8 "
Wheel Bearing	Wheels With Ball Bearings
Plate Size	4-9/16 " x 4 "
Bolt Hole Spacing	3-3/8 " x 2-3/4 "
Plate Hole	13/16 " x 3/8 "
Overall Height	6-5/8 "
Hardness Of Tread	85±5° Shore A
Load Capacity (Dynamic)	441lbs
Load Capacity (Static)	661lbs
Temperature	-4°F to +176°F
Fork Type	Rigid Caster
Stainless	N/A
Electrical Conductivity	N/A
Anti-Static	N/A
Weight	5.7lbs
Standard	ISO22883

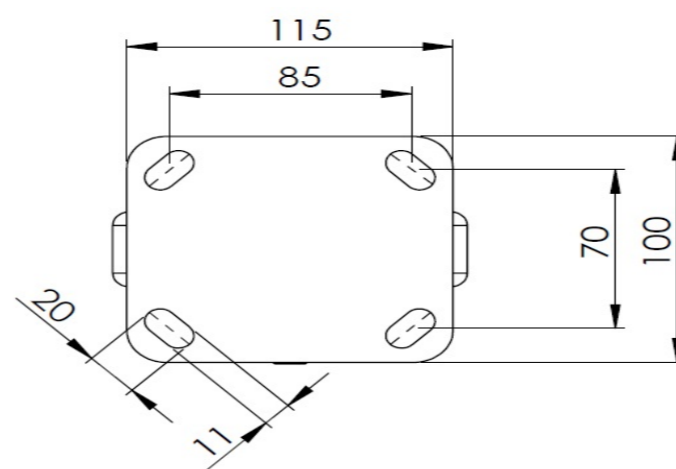
Advantages at a glance

Rolling Resistance	● ● ● ● ○
Operating Noise	● ● ● ● ○
Floor Surface Preservation	● ● ● ● ○

Dimensions



Mounting



* For any deviation between metric and imperial spec, please refer to the metric spec.