

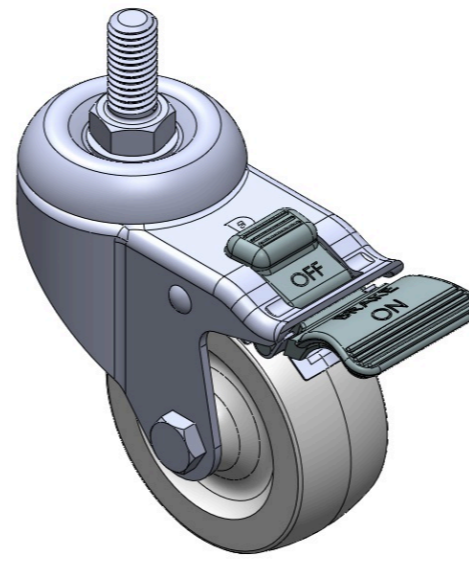
# 1116-SS-MI Medium Duty Institutional Stainless Steel Caster Series



Nylon Wheel Diameter × Wheel Width 75 x 32mm

EAN

TW-4111603004102



Drawings are for reference only and may differ from the product

Picture may differ from original product

## Technical Data

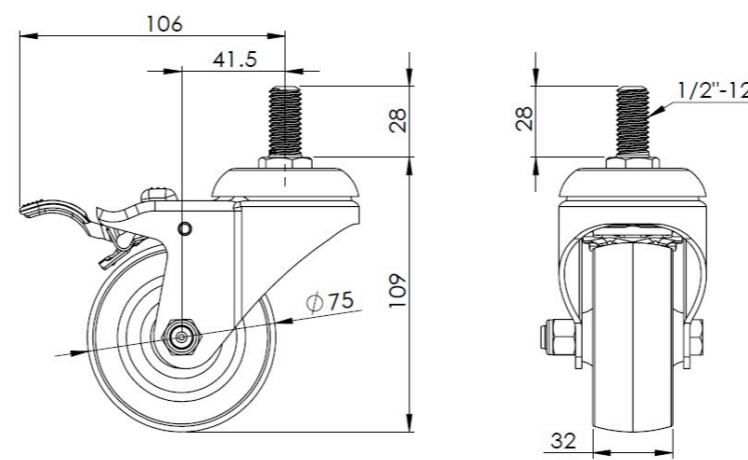
Imperial  Metric

Wheel Diameter	3 "
Wheel Width	1-5/16 "
Wheel Bearing	Wheel With Plain Bearing
Threaded Stem	1/2 " -12牙
Threaded Length	1-1/8 "
Offset	1-11/16 "
Swivel Interference	8-1/2 "
Overall Height	4-3/8 "
Swivel Radius	4-1/4 "
Hardness Of Tread	75±5° Shore D
Load Capacity (Dynamic)	220lbs
Load Capacity (Static)	331lbs
Temperature	-4°F to +176°F
Fork Type	Swivel Caster With Total Brake
Stainless	Y
Electrical Conductivity	N/A
Anti-Static	N/A
Weight	1.4lbs
Standard	ISO22883

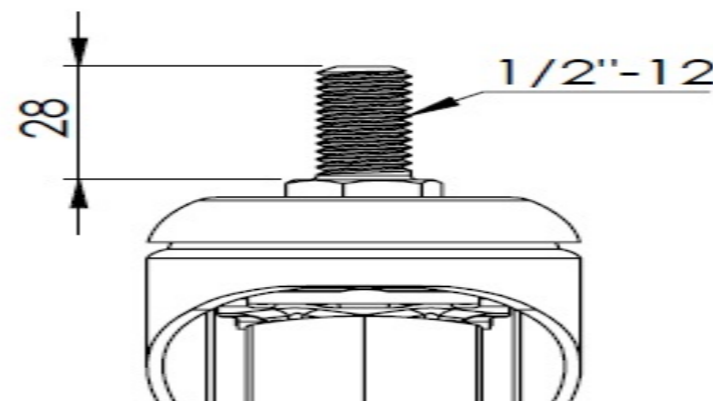
## Advantages at a glance

Rolling Resistance	● ● ● ● ●
Operating Noise	● ● ○ ○ ○
Floor Surface Preservation	● ● ○ ○ ○

## Dimensions



## Mounting



\* For any deviation between metric and imperial spec, please refer to the metric spec.