

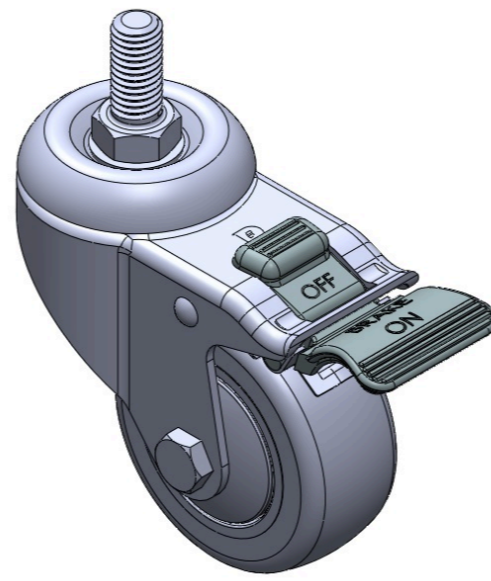
# 1116-SS-MI Medium Duty Institutional Stainless Steel Caster Series



PPR E-conductive Wheel Diameter × Wheel Width 75 x 31mm

EAN

TW-4111603004104



Drawings are for reference only and may differ from the product

Picture may differ from original product

## Technical Data

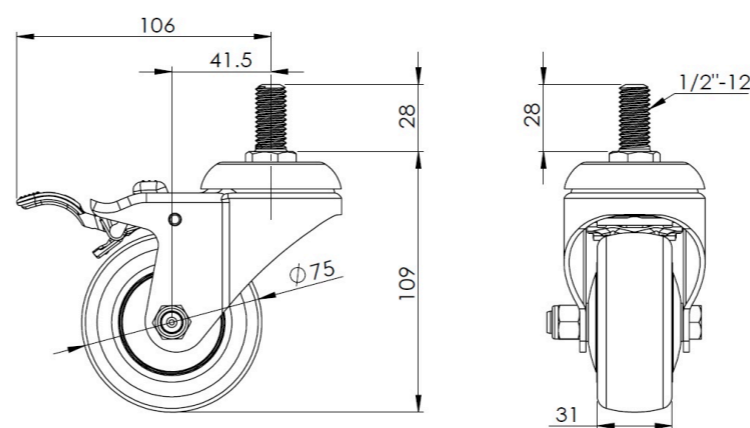
Metric  Imperial

Wheel Diameter	75mm
Wheel Width	31mm
Wheel Bearing	Wheels With Ball Bearings
Threaded Stem	1/2" -12牙
Threaded Length	28mm
Offset	41.5mm
Swivel Interference	212mm
Overall Height	109mm
Swivel Radius	106mm
Hardness Of Tread	82±5° Shore A
Load Capacity (Dynamic)	90kgs
Load Capacity (Static)	135kgs
Temperature	-20°C to +60°C
Fork Type	Swivel Caster With Total Brake
Stainless	Y
Electrical Conductivity	Y 導電値10 <sup>4</sup> ~10 <sup>6</sup>
Anti-Static	N/A
Weight	0.65kgs
Standard	ISO22883

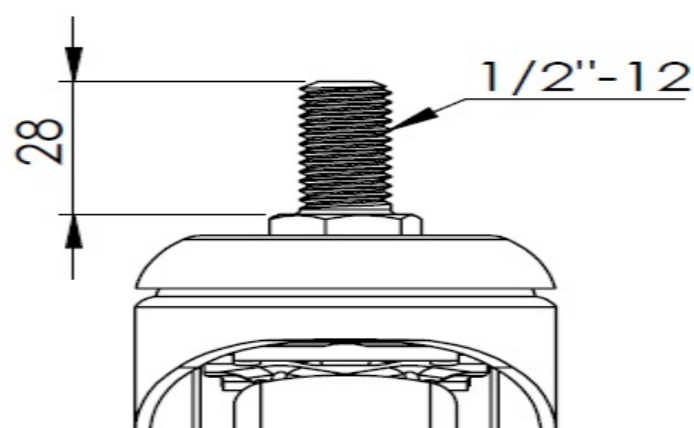
## Advantages at a glance

Rolling Resistance	● ● ● ● ○
Operating Noise	● ● ● ● ○
Floor Surface Preservation	● ● ● ● ●

## Dimensions



## Mounting



\* For any deviation between metric and imperial spec, please refer to the metric spec.