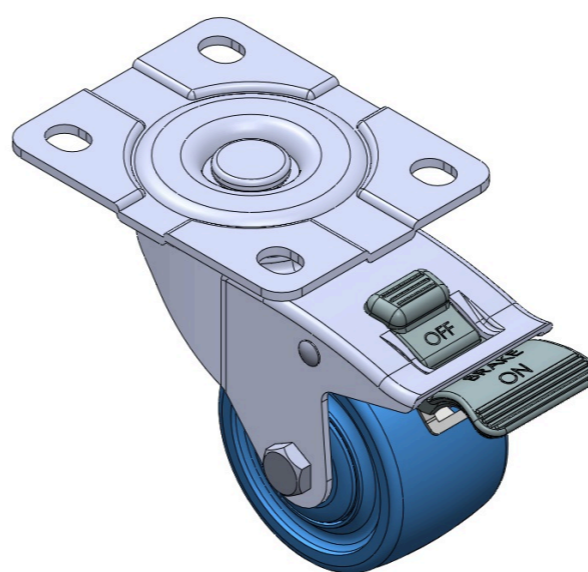


1116-SS-LI Light Duty Stainless Steel Caster Series



King Kong Wheel Diameter × Wheel Width 75 x 45mm

TW-4111603004109



Drawings are for reference only and may differ from the product

Picture may differ from original product

Technical Data

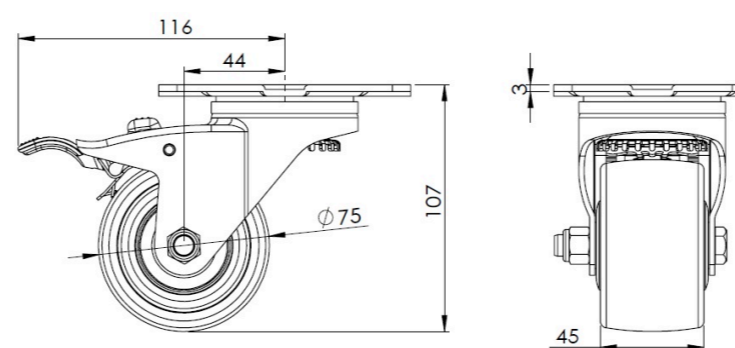
Metric Imperial

Wheel Diameter	75mm
Wheel Width	45mm
Wheel Bearing	Wheels With Ball Bearings
Plate Size	110 x 86mm
Bolt Hole Spacing	83 x 60mm
Plate Hole	14 x 11mm
Offset	44mm
Swivel Interference	232mm
Overall Height	107mm
Swivel Radius	116mm
Hardness Of Tread	75±5° Shore D
Load Capacity (Dynamic)	400kgs
Load Capacity (Static)	600kgs
Temperature	-20°C to +80°C
Fork Type	Swivel Caster With Total Brake
Stainless	Y
Electrical Conductivity	N/A
Anti-Static	N/A
Weight	0.75kgs
Standard	ISO22883

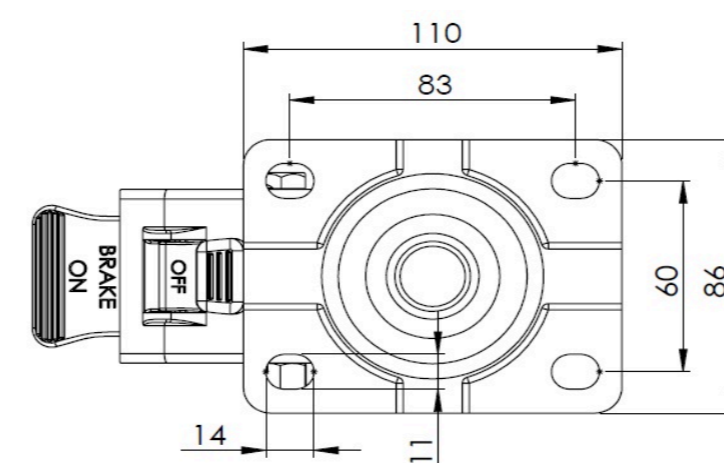
Advantages at a glance

Rolling Resistance	● ● ● ● ●
Operating Noise	● ● ○ ○ ○
Floor Surface Preservation	● ● ○ ○ ○

Dimensions



Mounting



* For any deviation between metric and imperial spec, please refer to the metric spec.