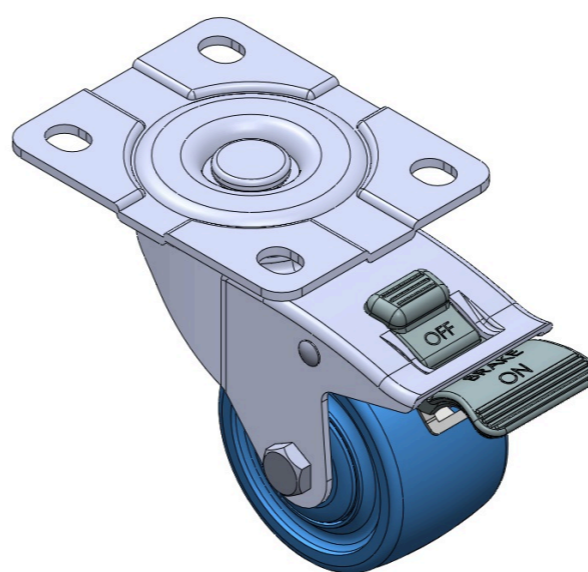


1116-SS-LI Light Duty Stainless Steel Caster Series



King Kong Wheel Diameter × Wheel Width 75 x 45mm

TW-4111603004109



Drawings are for reference only and may differ from the product

Picture may differ from original product

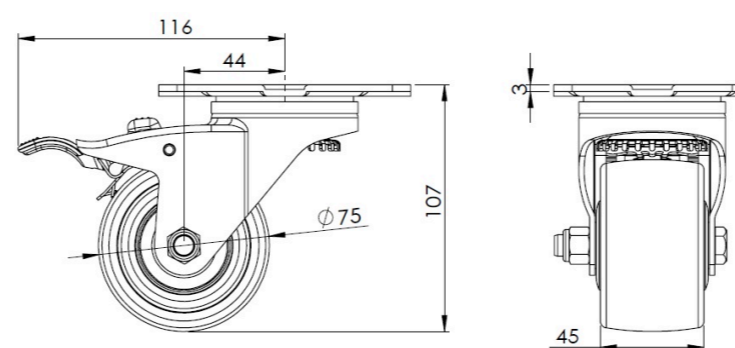
Technical Data

<input checked="" type="radio"/> Imperial <input type="radio"/> Metric	
Wheel Diameter	3 "
Wheel Width	1-13/16 "
Wheel Bearing	Wheels With Ball Bearings
Plate Size	4-3/8 " x 3-7/16 "
Bolt Hole Spacing	2-1/4 " x 2-3/8 "
Plate Hole	9/16 " x 3/8 "
Offset	1-3/4 "
Swivel Interference	9-1/4 "
Overall Height	4-1/4 "
Swivel Radius	4-5/8 "
Hardness Of Tread	75±5° Shore D
Load Capacity (Dynamic)	882lbs
Load Capacity (Static)	1323lbs
Temperature	-4°F to +176°F
Fork Type	Swivel Caster With Total Brake
Stainless	Y
Electrical Conductivity	N/A
Anti-Static	N/A
Weight	1.7lbs
Standard	ISO22883

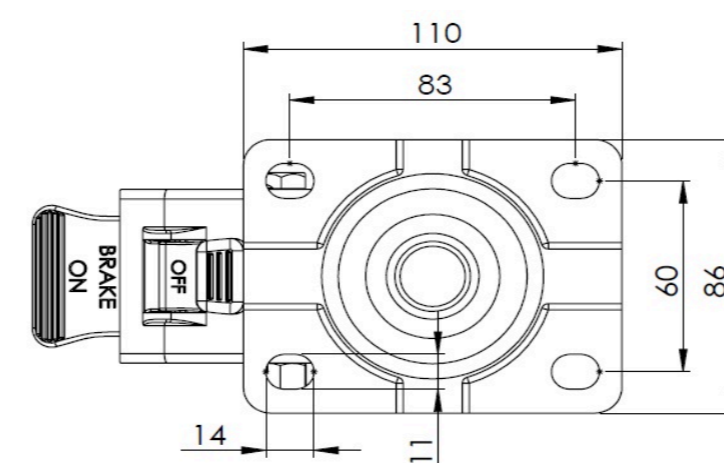
Advantages at a glance

Rolling Resistance	● ● ● ● ●
Operating Noise	● ● ○ ○ ○
Floor Surface Preservation	● ● ○ ○ ○

Dimensions



Mounting



* For any deviation between metric and imperial spec, please refer to the metric spec.