

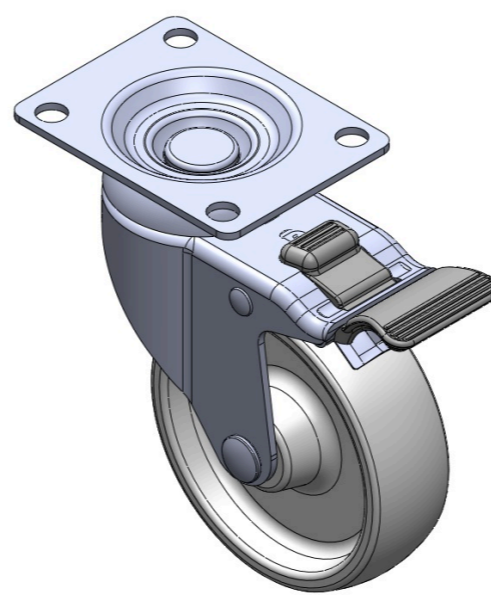
1116-SS-MI Medium Duty Institutional Stainless Steel Caster Series



Nylon Wheel Diameter × Wheel Width 100 x 31mm

EAN

TW-4111604004002



Picture may differ from original product

Drawings are for reference only and may differ from the product

Technical Data

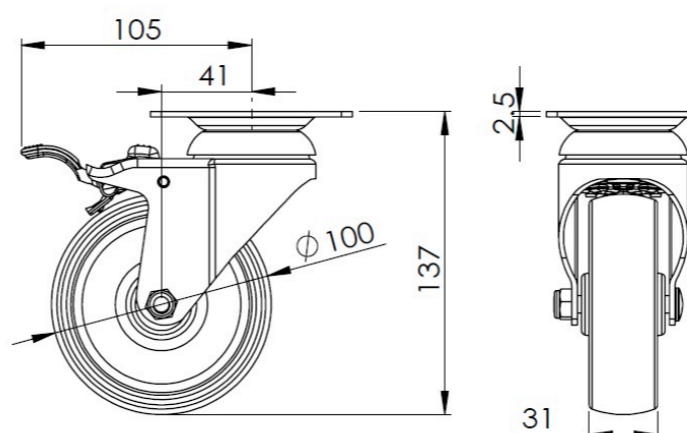
Imperial Metric

| | |
|-------------------------|--------------------------------|
| Wheel Diameter | 4 " |
| Wheel Width | 1-1/4 " |
| Wheel Bearing | Wheel With Plain Bearing |
| Plate Size | 3-5/8 " x 2-13/16 " |
| Bolt Hole Spacing | 2-7/8 " x 2-1/8 " |
| Plate Hole | 3/8 " |
| Offset | 1-5/8 " |
| Swivel Interference | 8-3/8 " |
| Overall Height | 5-1/2 " |
| Swivel Radius | 4-3/16 " |
| Hardness Of Tread | 75±5° Shore D |
| Load Capacity (Dynamic) | 265lbs |
| Load Capacity (Static) | 397lbs |
| Temperature | -4°F to +176°F |
| Fork Type | Swivel Caster With Total Brake |
| Stainless | Y |
| Electrical Conductivity | N/A |
| Anti-Static | N/A |
| Weight | 1.9lbs |
| Standard | ISO22883 |

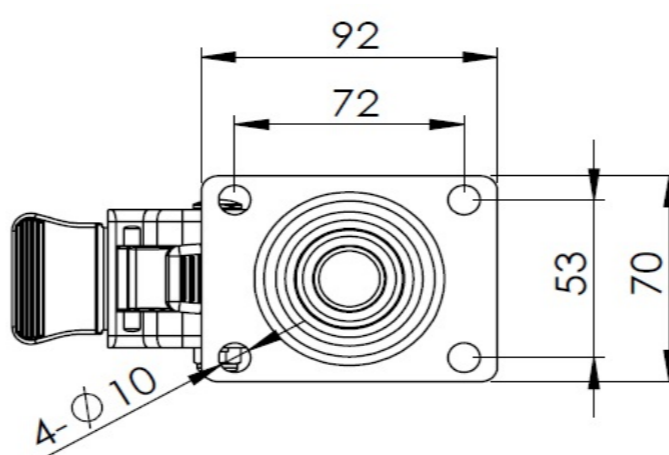
Advantages at a glance

| | |
|----------------------------|-------|
| Rolling Resistance | ●●●●● |
| Operating Noise | ●●○○○ |
| Floor Surface Preservation | ●●○○○ |

Dimensions



Mounting



* For any deviation between metric and imperial spec, please refer to the metric spec.