

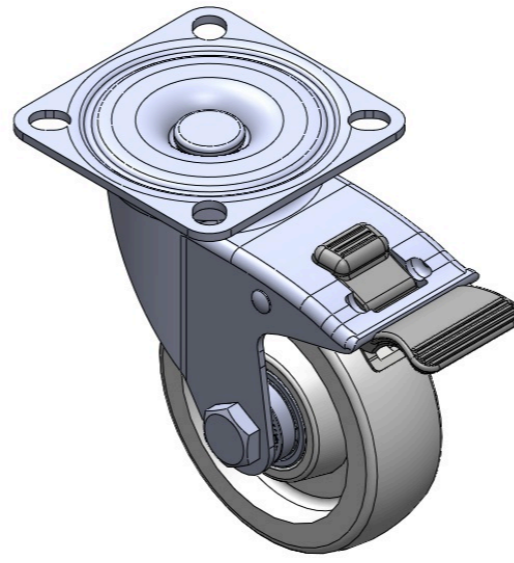
1116-SS-MI Medium Duty Institutional Stainless Steel Caster Series



Nylon wheel (white) Wheel diameter × wheel width 100 x 32mm

EAN

TW-4111604004012



Drawings are for reference only and may differ from the product

Picture may differ from original product

Technical Data

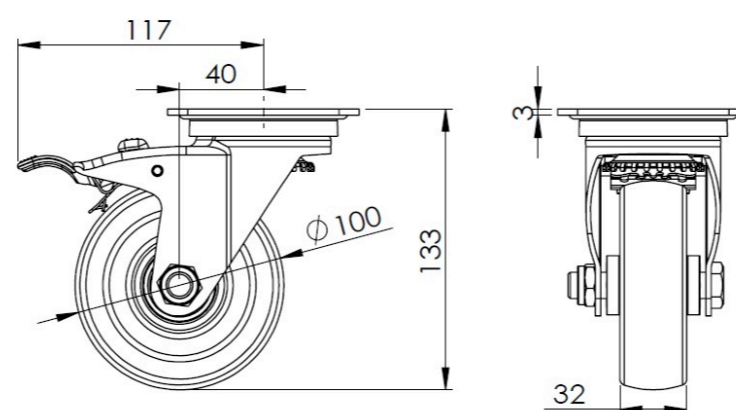
Metric Imperial

Wheel Diameter	100mm
Wheel Width	32mm
Wheel Bearing	Wheels With Ball Bearings
Plate Size	91 x 91mm
Bolt Hole Spacing	70 x 70mm
Plate Hole	13 x 10.5mm
Offset	40mm
Swivel Interference	234mm
Overall Height	134mm
Swivel Radius	117mm
Hardness Of Tread	75±5° Shore D
Load Capacity (Dynamic)	120kgs
Load Capacity (Static)	180kgs
Temperature	-20°C to +80°C
Fork Type	Swivel Caster With Total Brake
Stainless	Y
Electrical Conductivity	N/A
Anti-Static	N/A
Weight	0.95kgs
Standard	ISO22883

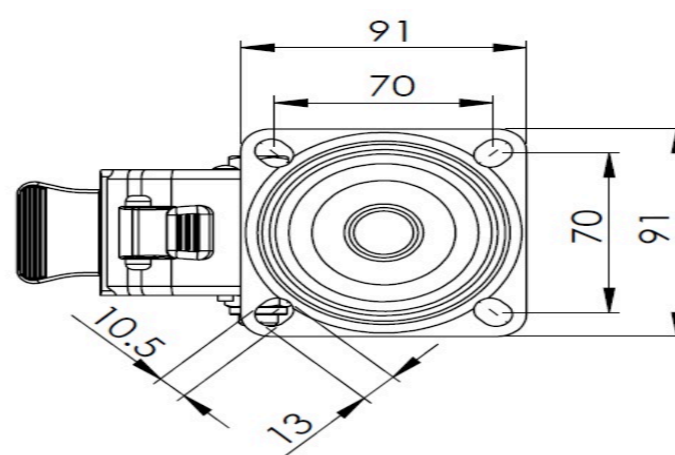
Advantages at a glance

Rolling Resistance	●●●●●
Operating Noise	●●○○○
Floor Surface Preservation	●●○○○

Dimensions



Mounting



* For any deviation between metric and imperial spec, please refer to the metric spec.