

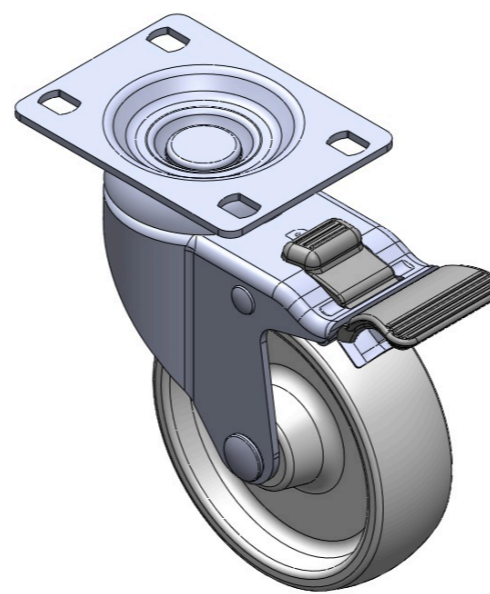
1116-SS-MI Medium Duty Institutional Stainless Steel Caster Series



Nylon Wheel Diameter × Wheel Width 100 x 31mm

EAN

TW-4111604004021



Drawings are for reference only and may differ from the product

Picture may differ from original product

Technical Data

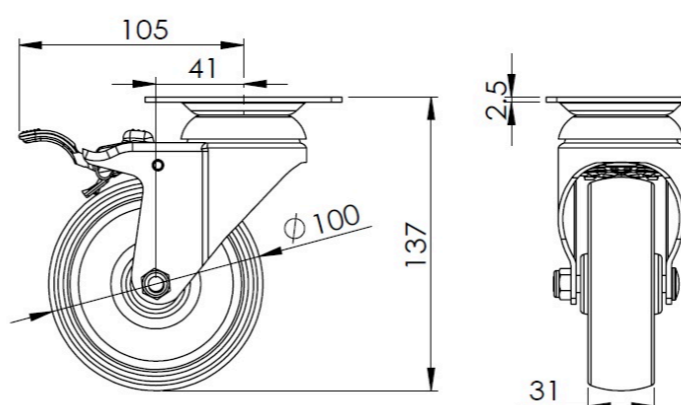
Metric Imperial

Wheel Diameter	100mm
Wheel Width	31mm
Wheel Bearing	Wheel With Plain Bearing
Plate Size	92 x 70mm
Bolt Hole Spacing	75 x 45mm
Plate Hole	12 x 9mm
Offset	41mm
Swivel Interference	210mm
Overall Height	137mm
Swivel Radius	105mm
Hardness Of Tread	75±5° Shore D
Load Capacity (Dynamic)	120kgs
Load Capacity (Static)	180kgs
Temperature	-20°C to +80°C
Fork Type	Swivel Caster With Total Brake
Stainless	Y
Electrical Conductivity	N/A
Anti-Static	N/A
Weight	0.85kgs
Standard	ISO22883

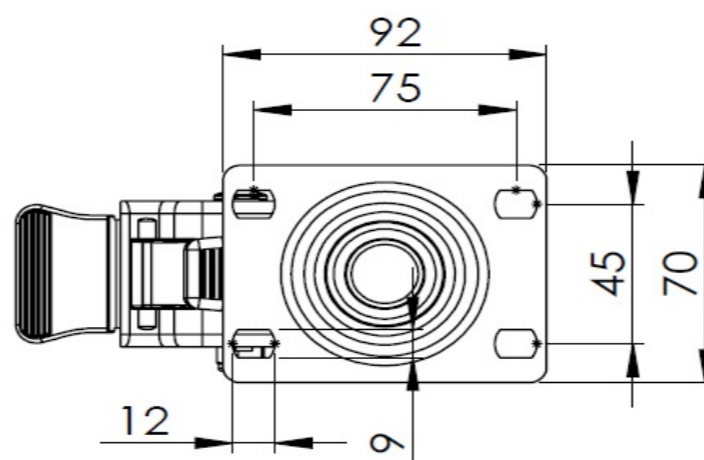
Advantages at a glance

Rolling Resistance	●●●●●
Operating Noise	●●○○○
Floor Surface Preservation	●●○○○

Dimensions



Mounting



* For any deviation between metric and imperial spec, please refer to the metric spec.