

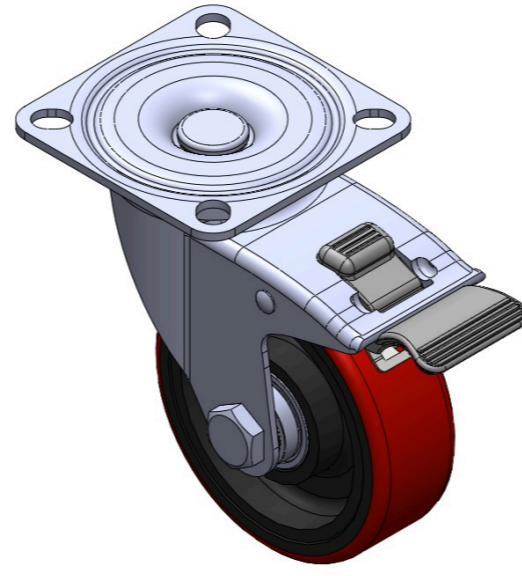
1116-SS-MJ Medium Duty Stainless Steel Caster Series



PU Wheel Diameter × Wheel Width 100 x 34mm

EAN

TW-4111604004025



Picture may differ from original product

Drawings are for reference only and may differ from the product

Technical Data

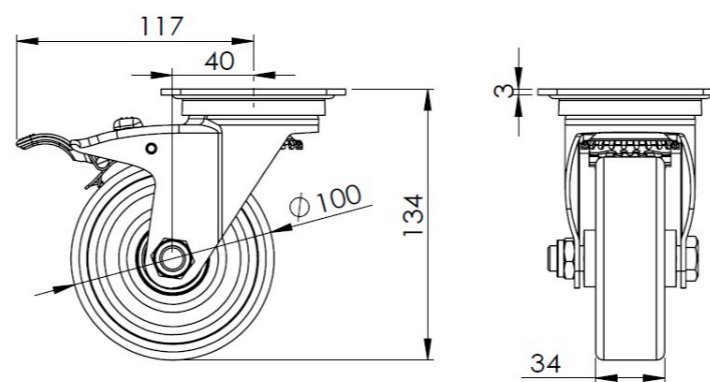
Imperial Metric

Wheel Diameter	4 "
Wheel Width	1-3/8 "
Wheel Bearing	Wheels With Ball Bearings
Plate Size	3-5/8 " x 3-5/8 "
Bolt Hole Spacing	2-3/4 " x 2-3/4 "
Plate Hole	9/16 " x 3/8 "
Offset	1-5/8 "
Swivel Interference	9-5/16 "
Overall Height	5-3/8 "
Swivel Radius	4-5/8 "
Hardness Of Tread	92±5° Shore A
Load Capacity (Dynamic)	298lbs
Load Capacity (Static)	446lbs
Temperature	-4°F to +158°F
Fork Type	Swivel Caster With Total Brake
Stainless	Y
Electrical Conductivity	N/A
Anti-Static	N/A
Weight	3.3lbs
Standard	ISO22883

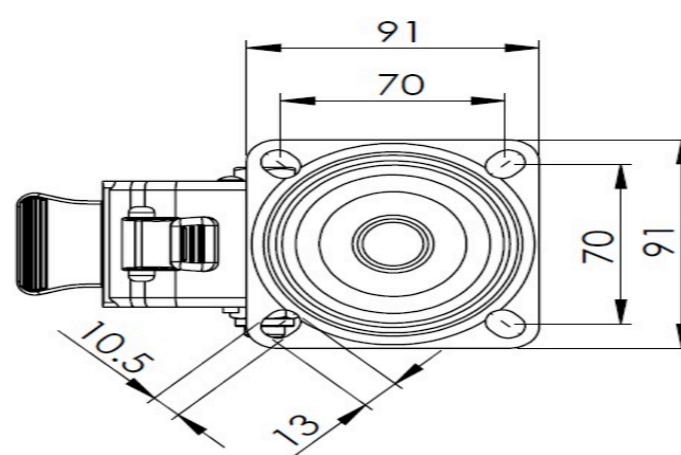
Advantages at a glance

Rolling Resistance	●●●○○
Operating Noise	●●●●○
Floor Surface Preservation	●●●●○

Dimensions



Mounting



* For any deviation between metric and imperial spec, please refer to the metric spec.