

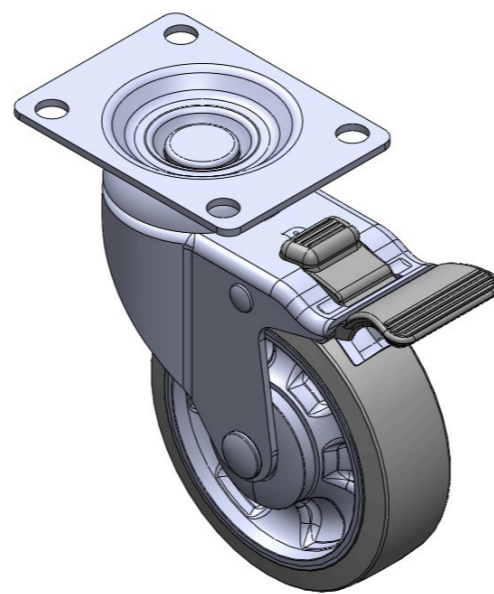
1116-SS-MI Medium Duty Institutional Stainless Steel Caster Series



W Resolute Wheel Diameter × Wheel Width 100 x 31mm

EAN

TW-4111604004030



Picture may differ from original product

Drawings are for reference only and may differ from the product

Technical Data

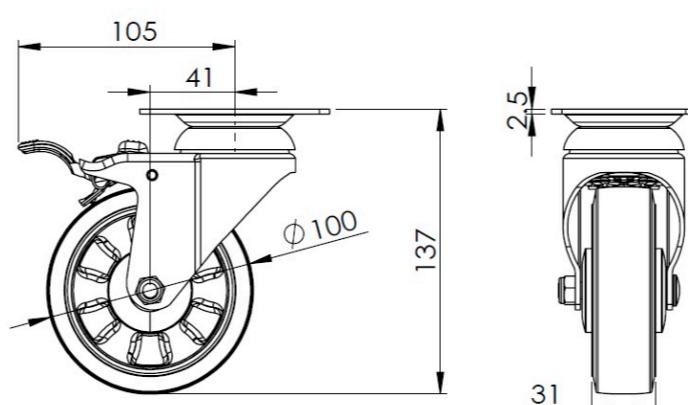
Metric Imperial

| | |
|-------------------------|--------------------------------|
| Wheel Diameter | 100mm |
| Wheel Width | 31mm |
| Wheel Bearing | Wheels With Ball Bearings |
| Plate Size | 92 x 70mm |
| Bolt Hole Spacing | 72 x 53mm |
| Plate Hole | 10mm |
| Offset | 41mm |
| Swivel Interference | 210mm |
| Overall Height | 137mm |
| Swivel Radius | 105mm |
| Hardness Of Tread | 72±5° Shore A |
| Load Capacity (Dynamic) | 135kgs |
| Load Capacity (Static) | 202.5kgs |
| Temperature | -20°C to +60°C |
| Fork Type | Swivel Caster With Total Brake |
| Stainless | Y |
| Electrical Conductivity | N/A |
| Anti-Static | N/A |
| Weight | 0.85kgs |
| Standard | ISO22883 |

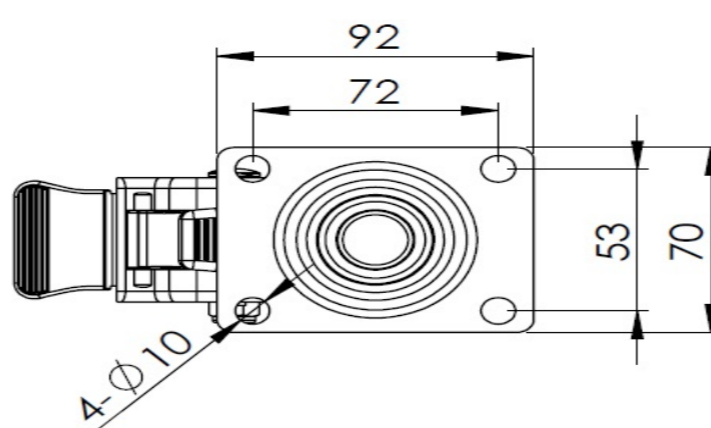
Advantages at a glance

| | |
|----------------------------|-------|
| Rolling Resistance | ●●●●● |
| Operating Noise | ●●●●● |
| Floor Surface Preservation | ●●●●● |

Dimensions



Mounting



* For any deviation between metric and imperial spec, please refer to the metric spec.