

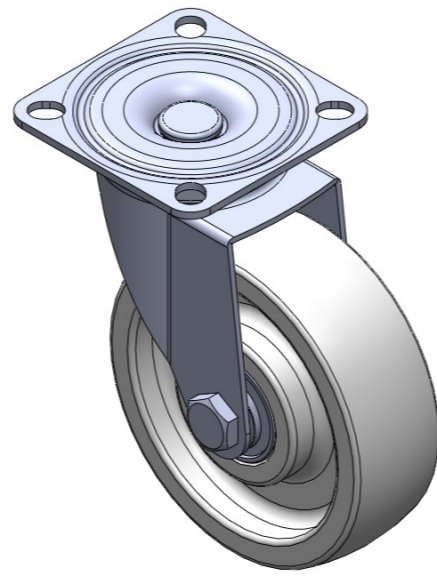
1116-SS-MI Medium Duty Institutional Stainless Steel Caster Series



Nylon (white) Wheel Diameter × Wheel Width 126 x 40mm

EAN

TW-4111605002067



Drawings are for reference only and may differ from the product

Picture may differ from original product

Technical Data

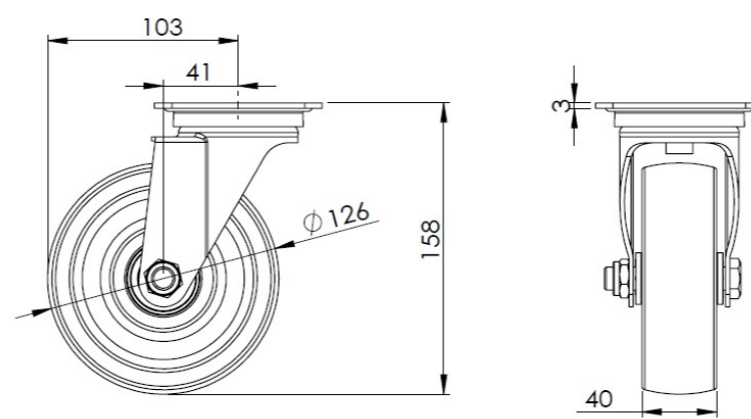
Metric Imperial

Wheel Diameter	126mm
Wheel Width	40mm
Wheel Bearing	Wheels With Ball Bearings
Plate Size	91 x 91mm
Bolt Hole Spacing	70 x 70mm
Plate Hole	13 x 10.5mm
Offset	41mm
Swivel Interference	206mm
Overall Height	158mm
Swivel Radius	103mm
Hardness Of Tread	75±5° Shore D
Load Capacity (Dynamic)	140kgs
Load Capacity (Static)	210kgs
Temperature	-20°C to +80°C
Fork Type	Swivel Caster
Stainless	Y
Electrical Conductivity	N/A
Anti-Static	N/A
Weight	0.95kgs
Standard	ISO22883

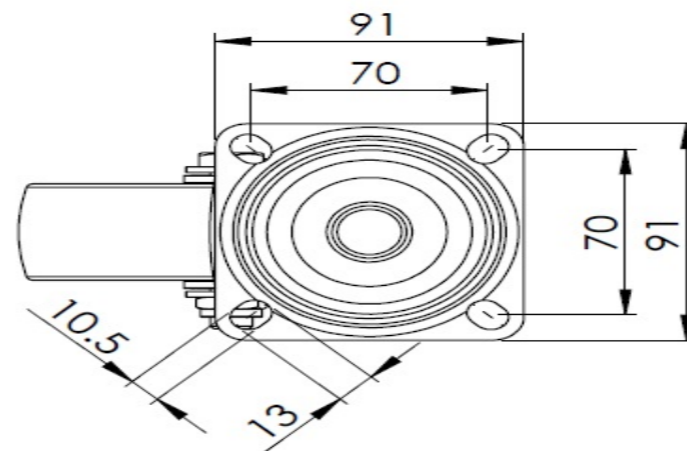
Advantages at a glance

Rolling Resistance	● ● ● ● ●
Operating Noise	● ● ○ ○ ○
Floor Surface Preservation	● ● ○ ○ ○

Dimensions



Mounting



* For any deviation between metric and imperial spec, please refer to the metric spec.