

1130 Medium Duty General Purposes Caster Series



Rubber Wheel Diameter × Wheel Width 75 x 31mm

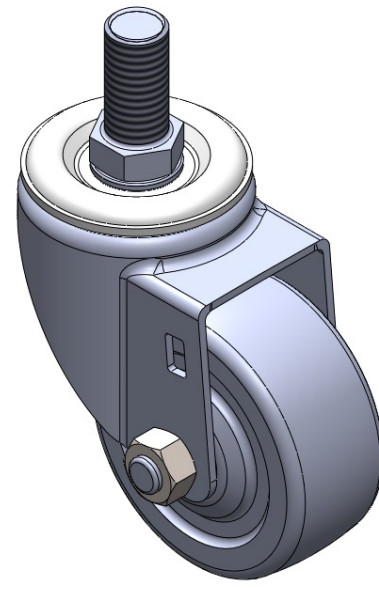
EAN

TW-4113003002049

Swivel Caster with Riveted Stamping Fork and 5/8-11 thread.
Zinc-Plated, Mounting Type - Threaded Stem.
High-Quality Resilient Rubber Wheel Tread and core.
Bearing - Plain Bearing.

Wheel surface: high-quality elastic rubber
Wheel Center: high quality elastic rubber

Drawings are for reference only and may differ from the product



Picture may differ from original product

Technical Data

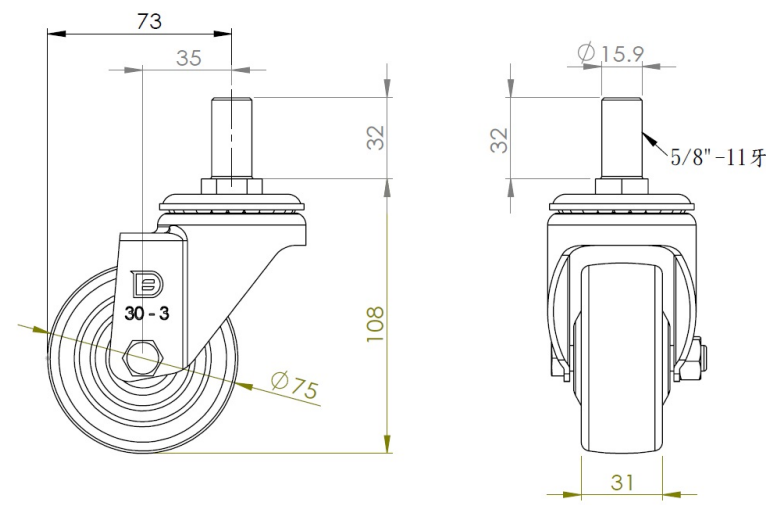
Metric Imperial

Wheel Diameter	75mm
Wheel Width	31mm
Wheel Bearing	Wheel With Plain Bearing
Threaded Stem	5/8" -11牙
Threaded Size	32mm
Offset	35mm
Swivel Interference	146mm
Overall Height	108mm
Swivel Radius	73mm
Hardness Of Tread	80±5° Shore A
Load Capacity (Dynamic)	90kgs
Load Capacity (Static)	135kgs
Temperature	-20°C to +120°C
Fork Type	Swivel Caster
Stainless	N/A
Electrical Conductivity	N/A
Anti-Static	N/A
Weight	0.50kgs
Standard	ISO22883

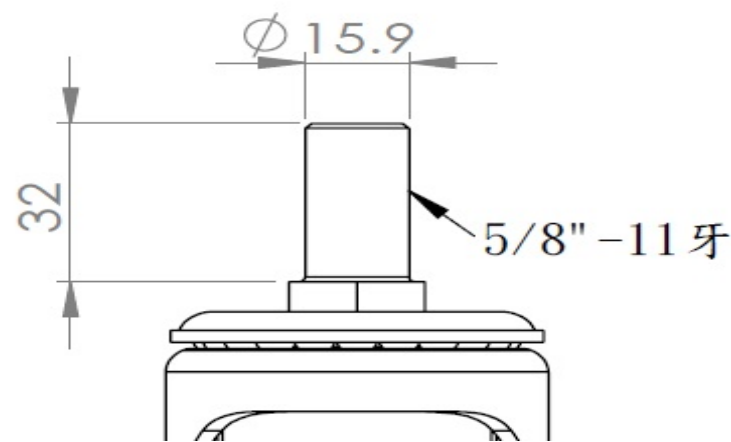
Advantages at a glance

Rolling Resistance	● ● ● ● ○
Operating Noise	● ● ● ● ○
Floor Surface Preservation	● ● ● ● ○

Dimensions



Mounting



* For any deviation between metric and imperial spec, please refer to the metric spec.