

1110-YOYO YOYO Series-Light Duty Twin Wheel Caster Series (All Plastic)



YoYo Wheel (light dark gray) Wheel Diameter x Wheel Width 65 x 18mm

EAN

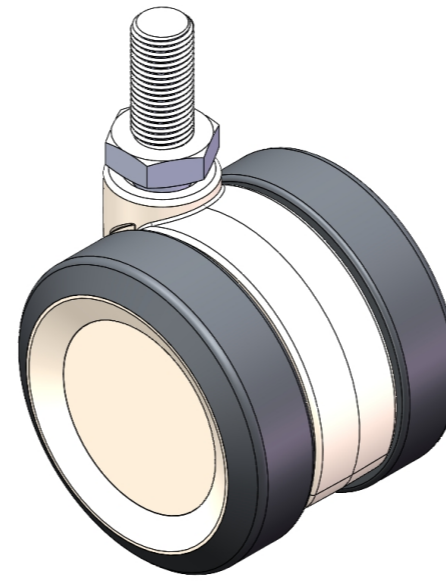
YJ-11100250245153

Swivel Caster, thread-Riveted injection-molded Fork—M12-P1.75 reinforced Polypropylene Fork, Mounting Type - Threaded Stem Polypropylene (PP) core, polyvinyl chloride (PVC) tread White-dark gray, wheel—Plain Bearing.

Wheel Tread: PVC polyvinyl chloride

Wheel Center: PP polypropylene

Drawings are for reference only and may differ from the product



Picture may differ from original product

Technical Data

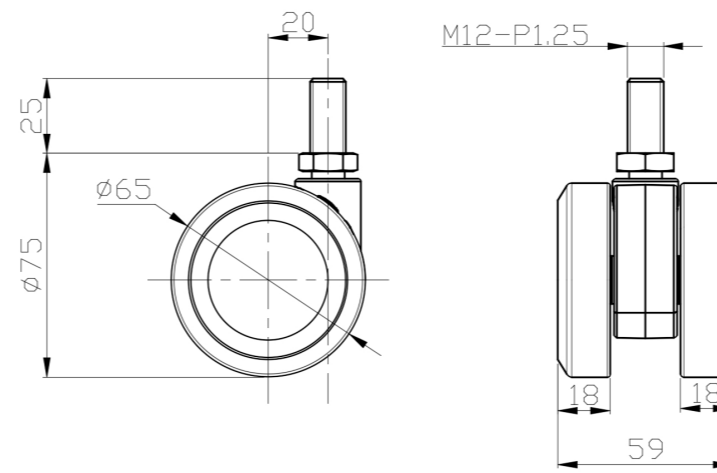
Metric Imperial

Wheel Diameter	65mm
Wheel Width	59mm
Wheel Bearing	Wheel With Plain Bearing
Threaded Stem	M12-P1.75
Threaded Size	25mm
Offset	20mm
Swivel Interference	118mm
Overall Height	75mm
Swivel Radius	59mm
Hardness Of Tread	95±5° Shore A
Load Capacity (Dynamic)	45kgs
Load Capacity (Static)	67.5kgs
Temperature	-20°C to +60°C
Fork Type	Swivel Caster
Stainless	N/A
Electrical Conductivity	N/A
Anti-Static	N/A
Weight	0.20kgs
Standard	ISO22883

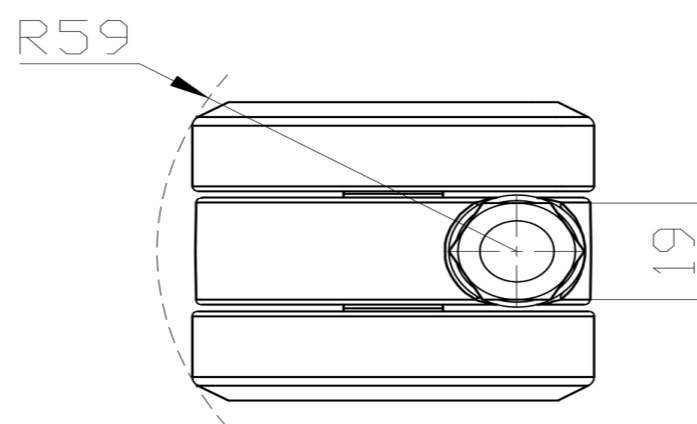
Advantages at a glance

Rolling Resistance	•••••
Operating Noise	•••••
Floor Surface Preservation	•••••

Dimensions



Mounting



* For any deviation between metric and imperial spec, please refer to the metric spec.