

# 1110-YOYO YOYO Series-Light Duty Twin Wheel Caster Series (All Plastic)



YoYo Wheel (black dark gray) Wheel Diameter x Wheel Width 72.8 x 20mm

EAN

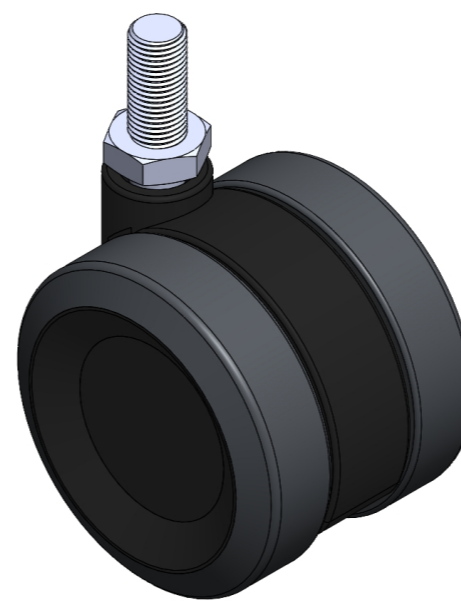
YJ-11100300245173

Swivel Caster, thread-Riveted injection-molded Fork—M12-P1.75 reinforced Polypropylene Fork, Mounting Type - Threaded Stem Polypropylene (PP) core, polyvinyl chloride (PVC) tread Dark gray, wheel—tube-type.

Wheel Tread: PVC polyvinyl chloride

Wheel Center: PP polypropylene

Drawings are for reference only and may differ from the product



Picture may differ from original product

## Technical Data

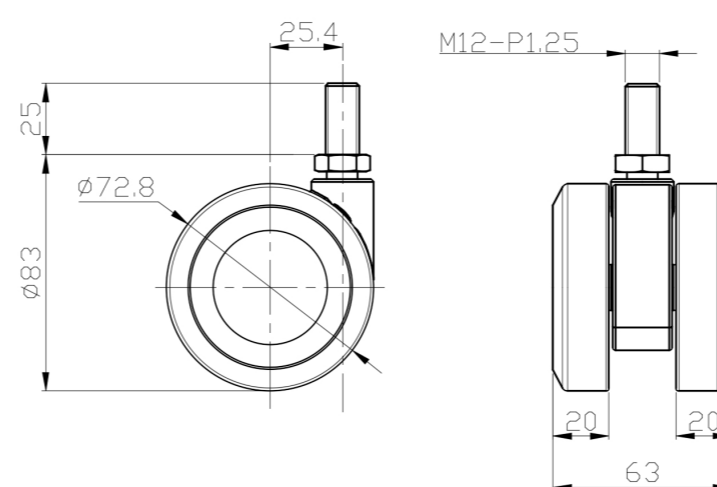
Metric  Imperial

Wheel Diameter	72.8mm
Wheel Width	63mm
Wheel Bearing	Wheel With Plain Bearing
Threaded Stem	M12-P1.75
Threaded Size	25mm
Offset	25.4mm
Swivel Interference	136mm
Overall Height	83mm
Swivel Radius	68mm
Hardness Of Tread	95±5° Shore A
Load Capacity (Dynamic)	45kgs
Load Capacity (Static)	67.5kgs
Temperature	-20°C to +60°C
Fork Type	Swivel Caster
Stainless	N/A
Electrical Conductivity	N/A
Anti-Static	N/A
Weight	0.24kgs
Standard	ISO22883

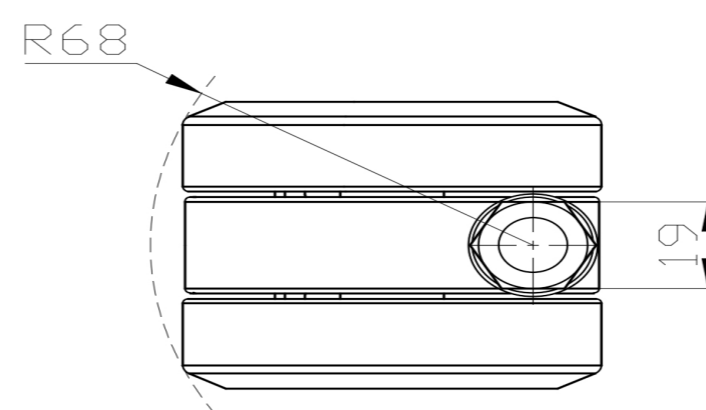
## Advantages at a glance

Rolling Resistance	•••••
Operating Noise	•••••
Floor Surface Preservation	•••••

## Dimensions



## Mounting



\* For any deviation between metric and imperial spec, please refer to the metric spec.