

1110-YOYO YOYO Series-Light Duty Twin Wheel Caster Series (All Plastic)



YoYo Wheel (light dark gray) Wheel Diameter x Wheel Width 72.8 x 20mm

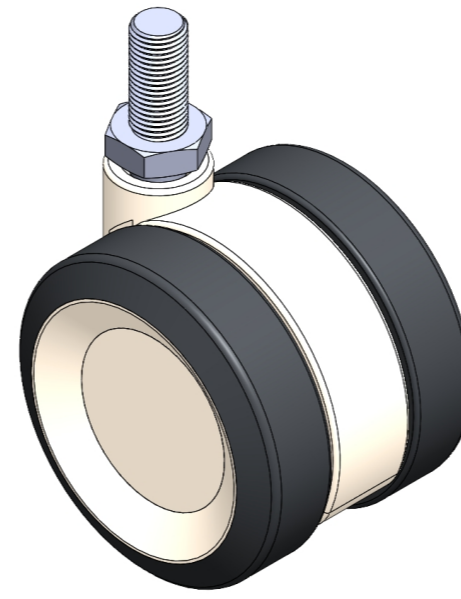
EAN

YJ-11100300245183

Swivel Caster, thread-Riveted injection-molded Fork—M12-P1.75 reinforced Polypropylene Fork, Mounting Type - Threaded Stem Polypropylene (PP) core, polyvinyl chloride (PVC) tread White-dark gray, wheel—tube-type.

Wheel Tread: PVC polyvinyl chloride
 Wheel Center: PP polypropylene

Drawings are for reference only and may differ from the product



Picture may differ from original product

Technical Data

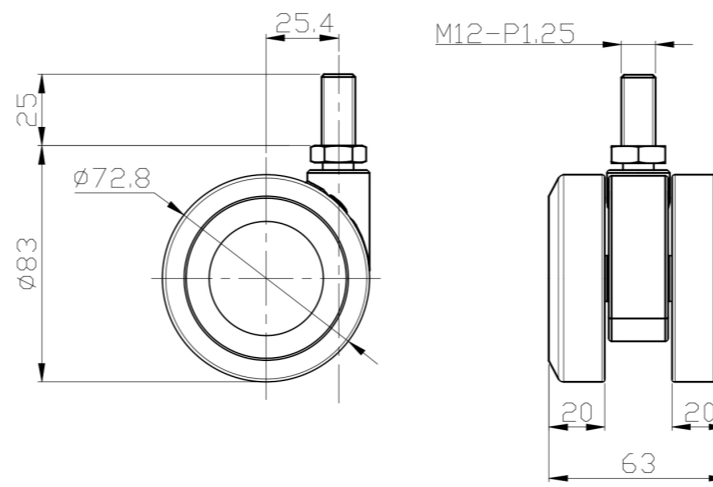
Imperial Metric

| | |
|-------------------------|--------------------------|
| Wheel Diameter | 2-15/16 |
| Wheel Width | 2-1/2 " |
| Wheel Bearing | Wheel With Plain Bearing |
| Threaded Stem | M12-P1.75 |
| Threaded Size | 1 " |
| Offset | 1 " |
| Swivel Interference | 5-7/16 " |
| Overall Height | 3-5/16 " |
| Swivel Radius | 2-11/16 " |
| Hardness Of Tread | 95±5° Shore A |
| Load Capacity (Dynamic) | 99lbs |
| Load Capacity (Static) | 149lbs |
| Temperature | -4°F to +140°F |
| Fork Type | Swivel Caster |
| Stainless | N/A |
| Electrical Conductivity | N/A |
| Anti-Static | N/A |
| Weight | 0.5lbs |
| Standard | ISO22883 |

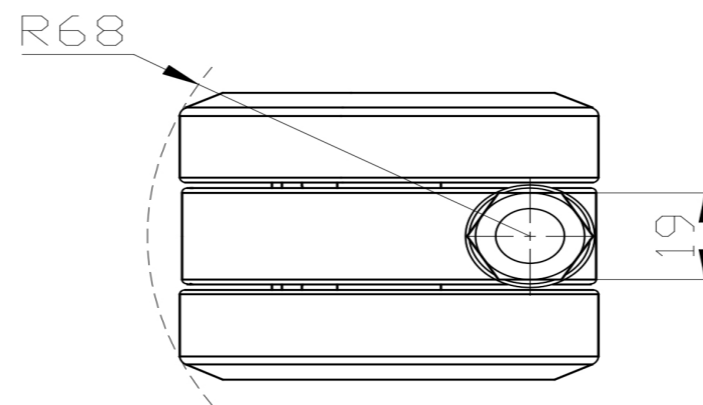
Advantages at a glance

| | |
|----------------------------|-------|
| Rolling Resistance | ••••• |
| Operating Noise | ••••• |
| Floor Surface Preservation | ••••• |

Dimensions



Mounting



* For any deviation between metric and imperial spec, please refer to the metric spec.