

1110-YOYO YOYO Series-Light Duty Twin Wheel Caster Series (All Plastic)



YoYo Wheel (light dark gray) Wheel Diameter x Wheel Width 72.8 x 20mm

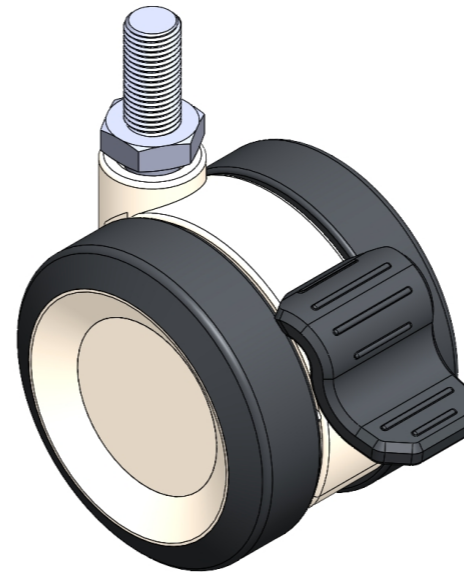
EAN

YJ-11100300246423

Single Brake locking system, thread-Riveted injection-molded Fork - M12-P1.75 reinforced Polypropylene Fork, Mounting Type - Threaded Stem Polypropylene (PP) Wheel Center, polyvinyl chloride (PVC) tread White-dark gray, wheel - Plain Bearing.

Wheel Tread: PVC polyvinyl chloride
Wheel Center: PP polypropylene

Drawings are for reference only and may differ from the product



Picture may differ from original product

Technical Data

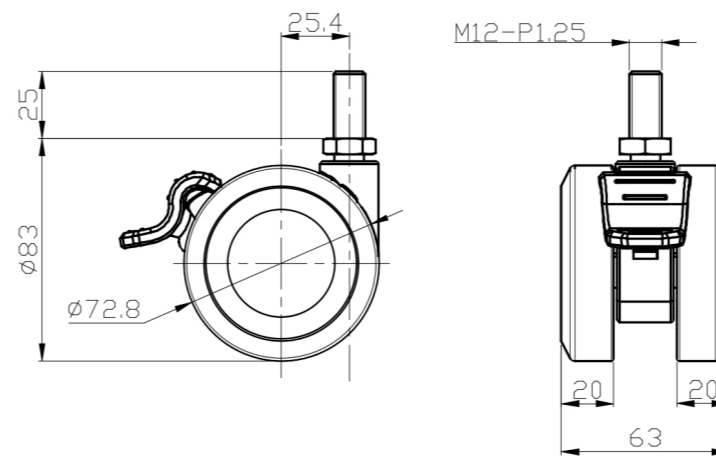
Metric Imperial

Wheel Diameter	72.8mm
Wheel Width	63mm
Wheel Bearing	Wheel With Plain Bearing
Threaded Stem	M12-P1.75
Threaded Size	25mm
Offset	25.4mm
Swivel Interference	170mm
Overall Height	83mm
Swivel Radius	85mm
Hardness Of Tread	95±5° Shore A
Load Capacity (Dynamic)	45kgs
Load Capacity (Static)	67.5kgs
Temperature	-20°C to +60°C
Fork Type	Swivel Caster With Wheel Brake
Stainless	N/A
Electrical Conductivity	N/A
Anti-Static	N/A
Weight	0.26kgs
Standard	ISO22883

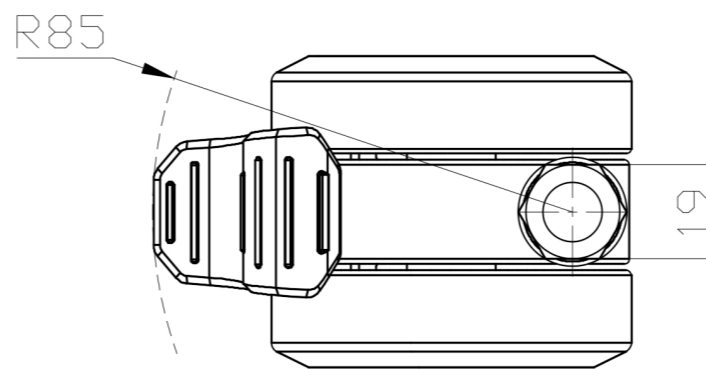
Advantages at a glance

Rolling Resistance	•••••
Operating Noise	•••••
Floor Surface Preservation	•••••

Dimensions



Mounting



* For any deviation between metric and imperial spec, please refer to the metric spec.