

1110-YOYO YOYO Series-Light Duty Twin Wheel Caster Series (All Plastic)



YoYo Wheel (black dark gray) Wheel Diameter x Wheel Width 100 x 22mm

EAN

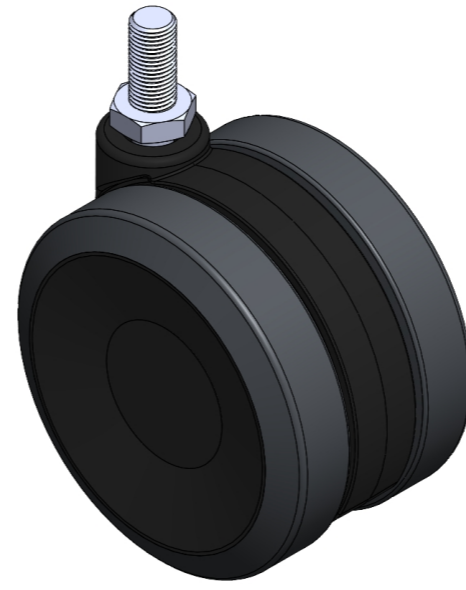
YJ-11100400245143

Swivel Caster, thread-Riveted injection-molded Fork—M12-P1.75 reinforced Polypropylene Fork, Mounting Type - Threaded Stem Polypropylene (PP) core, polyvinyl chloride (PVC) tread Dark gray, Bearing—Ball Bearing.

Wheel Tread: PVC polyvinyl chloride

Wheel Center: PP polypropylene

Drawings are for reference only and may differ from the product



Picture may differ from original product

Technical Data

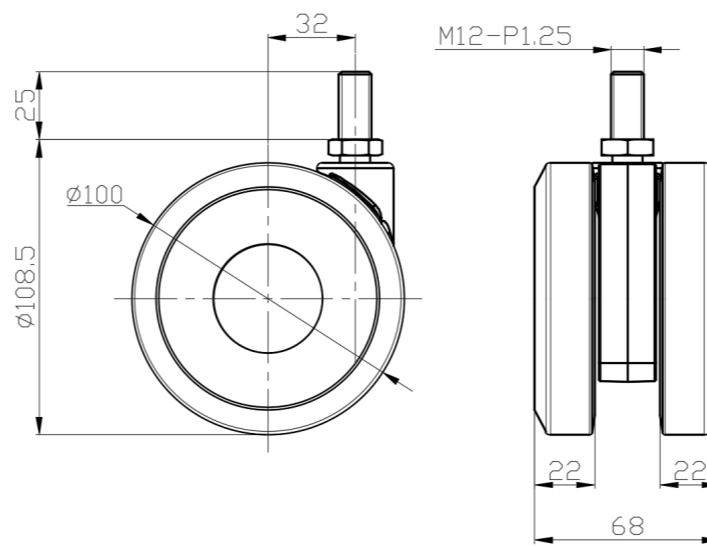
Metric Imperial

Wheel Diameter	100mm
Wheel Width	68mm
Wheel Bearing	Wheels With Ball Bearings
Threaded Stem	M12-P1.75
Threaded Size	25mm
Offset	32mm
Swivel Interference	176mm
Overall Height	108.5mm
Swivel Radius	88mm
Hardness Of Tread	95±5° Shore A
Load Capacity (Dynamic)	100kgs
Load Capacity (Static)	150kgs
Temperature	-20°C to +60°C
Fork Type	Swivel Caster
Stainless	N/A
Electrical Conductivity	N/A
Anti-Static	N/A
Weight	0.50kgs
Standard	ISO22883

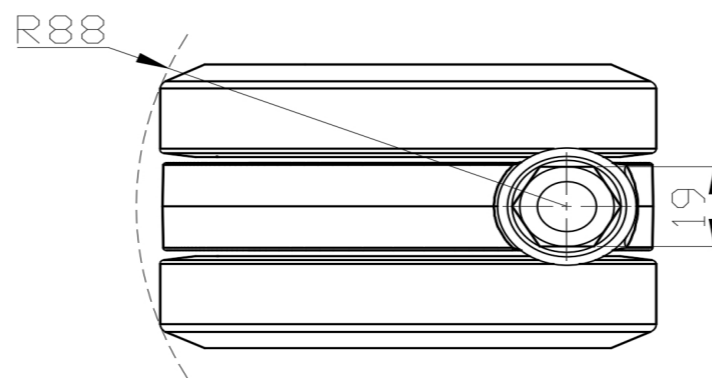
Advantages at a glance

Rolling Resistance	•••••
Operating Noise	•••••
Floor Surface Preservation	•••••

Dimensions



Mounting



* For any deviation between metric and imperial spec, please refer to the metric spec.