

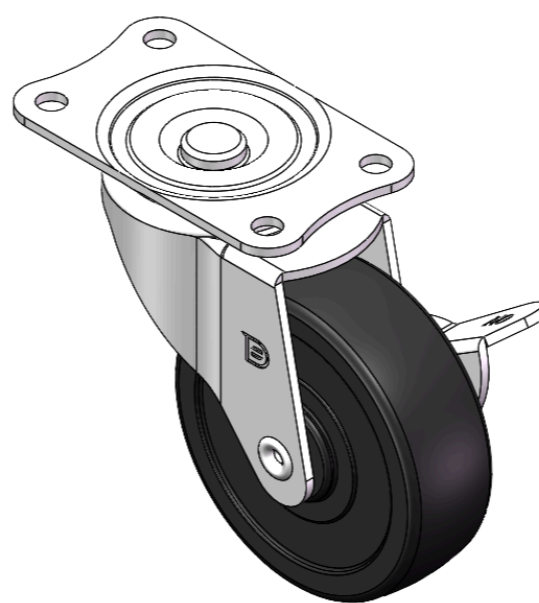
1121 Double Raceway, Light Duty Caster Series



Rubber wheel Wheel diameter × Wheel width 65×21 mm

EAN

YJ-11210250064013



Drawings are for reference only and may differ from the product

Picture may differ from original product

Technical Data

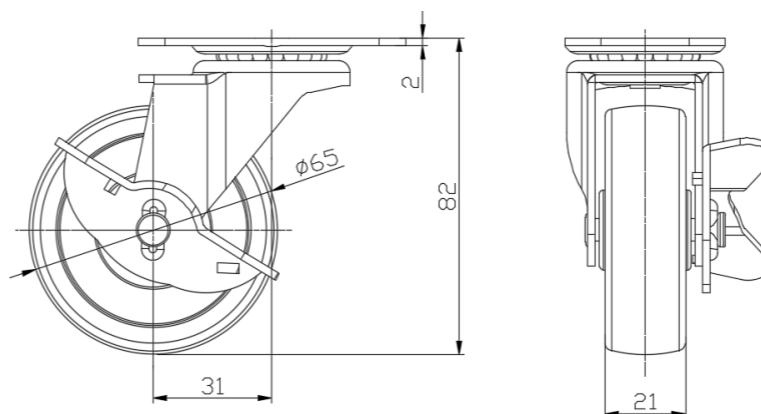
Metric Imperial

Wheel Diameter	65mm
Wheel Width	21mm
Wheel Bearing	Wheel With Plain Bearing
Plate Size	70 x 42mm
Bolt Hole Spacing	56x28mm
Plate Hole	6mm
Offset	31mm
Swivel Interference	127mm
Overall Height	65mm
Swivel Radius	63.5mm
Hardness Of Tread	80±5° Shore A
Load Capacity (Dynamic)	40kgs
Load Capacity (Static)	60kgs
Temperature	-20°C to +120°C
Fork Type	Swivel Caster With Side Brake
Stainless	N/A
Electrical Conductivity	N/A
Anti-Static	N/A
Weight	0.25kgs
Standard	ISO22883

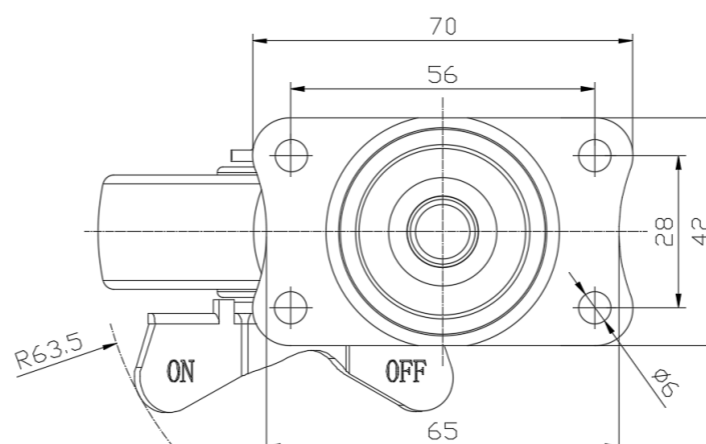
Advantages at a glance

Rolling Resistance	● ● ● ● ○ ○
Operating Noise	● ● ● ● ○
Floor Surface Preservation	● ● ● ● ○

Dimensions



Mounting



* For any deviation between metric and imperial spec, please refer to the metric spec.