

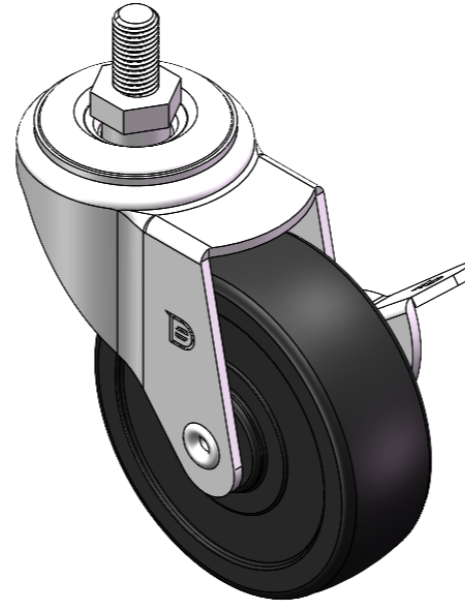
# 1121 Double Raceway, Light Duty Caster Series



Rubber wheel Wheel diameter × Wheel width 65×21 mm

EAN

YJ-11210250066013



Drawings are for reference only and may differ from the product

Picture may differ from original product

## Technical Data

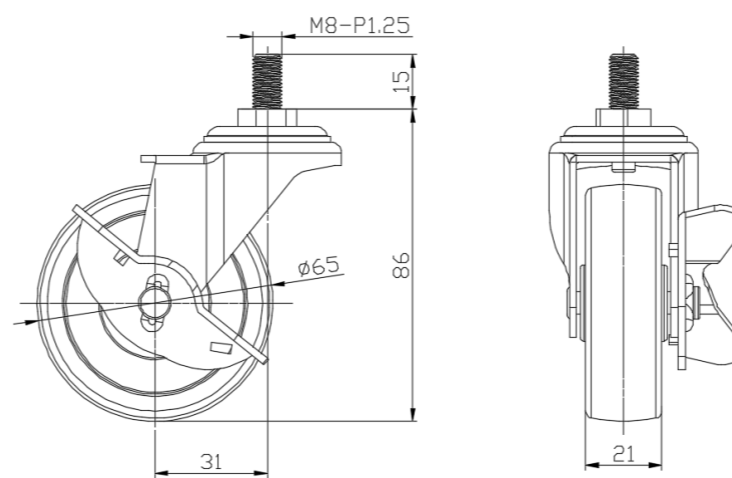
Metric  Imperial

Wheel Diameter	65mm
Wheel Width	21mm
Wheel Bearing	Wheel With Plain Bearing
Threaded Stem	M8-P1.25
Threaded Length	15mm
Offset	31mm
Swivel Interference	127mm
Overall Height	86mm
Swivel Radius	63.5mm
Hardness Of Tread	80±5° Shore A
Load Capacity (Dynamic)	40kgs
Load Capacity (Static)	60kgs
Temperature	-20°C to +120°C
Fork Type	Swivel Caster With Side Brake
Stainless	N/A
Electrical Conductivity	N/A
Anti-Static	N/A
Weight	0.25kgs
Standard	ISO22883

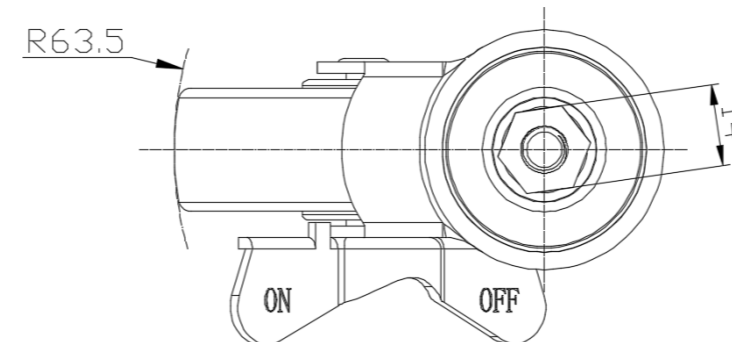
## Advantages at a glance

Rolling Resistance	● ● ● ○ ○
Operating Noise	● ● ● ● ○
Floor Surface Preservation	● ● ● ● ○

## Dimensions



## Mounting



\* For any deviation between metric and imperial spec, please refer to the metric spec.