

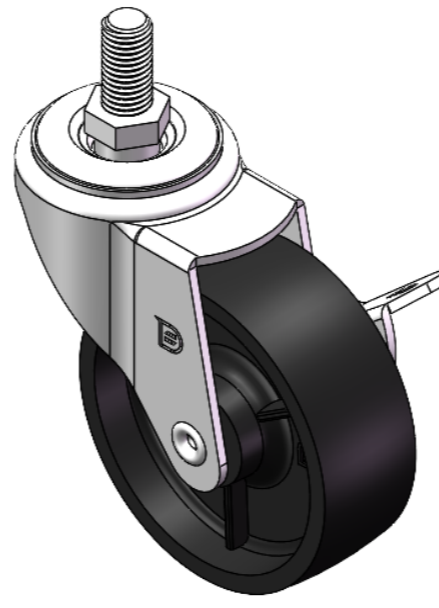
# 1121 Double Raceway, Light Duty Caster Series



MRC Wheel (black) Wheel diameter × Wheel width 65×23.5 mm

EAN

YJ-11210250076023



Drawings are for reference only and may differ from the product

Picture may differ from original product

## Technical Data

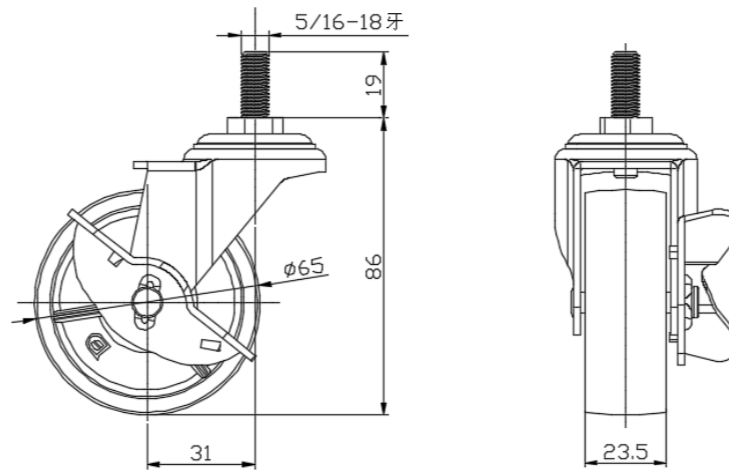
Imperial  Metric

Wheel Diameter	2-1/32 "
Wheel Width	15/16 "
Wheel Bearing	Wheel With Plain Bearing
Threaded Stem	5/16-18牙
Threaded Length	3/4 "
Offset	1-1/4 "
Swivel Interference	4-1/16 "
Overall Height	3-7/16 "
Swivel Radius	2-1/2 "
Hardness Of Tread	75±5° Shore D
Load Capacity (Dynamic)	77lbs
Load Capacity (Static)	116lbs
Temperature	-4°F to +176°F
Fork Type	Swivel Caster With Side Brake
Stainless	N/A
Electrical Conductivity	N/A
Anti-Static	N/A
Weight	0.4lbs
Standard	ISO22883

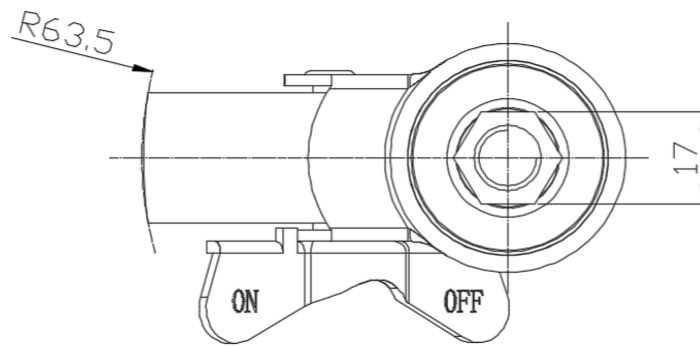
## Advantages at a glance

Rolling Resistance	● ● ● ● ●
Operating Noise	● ● ○ ○ ○
Floor Surface Preservation	● ● ○ ○ ○

## Dimensions



## Mounting



\* For any deviation between metric and imperial spec, please refer to the metric spec.