

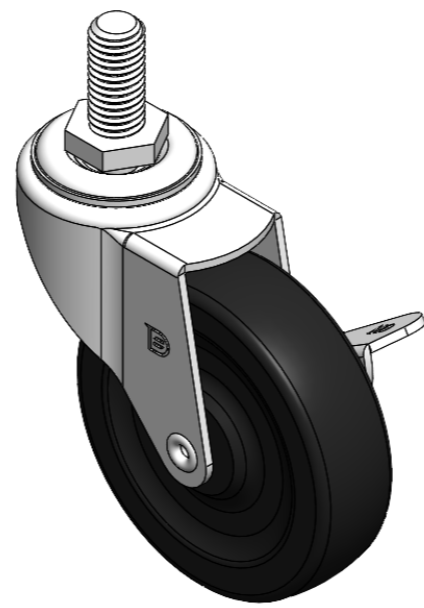
1121 Double Raceway, Light Duty Caster Series



Rubber wheel (black) Wheel diameter × Wheel width 75×21.5 mm

EAN

YJ-11210300066043



Drawings are for reference only and may differ from the product

Picture may differ from original product

Technical Data

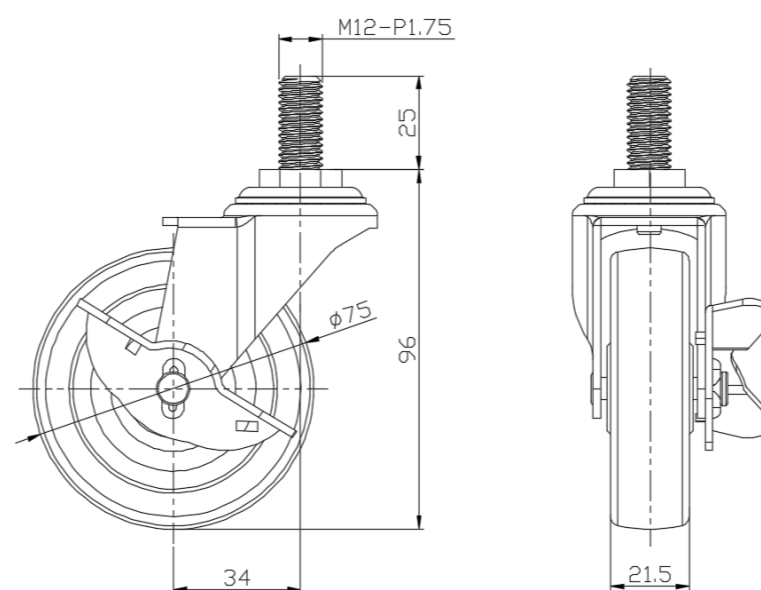
Imperial Metric

| | |
|-------------------------|-------------------------------|
| Wheel Diameter | 3 " |
| Wheel Width | 7/8 " |
| Wheel Bearing | Wheel With Plain Bearing |
| Threaded Stem | M12-P1.75 |
| Threaded Length | 1 " |
| Offset | 1-3/8 " |
| Swivel Interference | 5-11/16 " |
| Overall Height | 3-7/8 " |
| Swivel Radius | 2-7/8 " |
| Hardness Of Tread | 80±5° Shore A |
| Load Capacity (Dynamic) | 110lbs |
| Load Capacity (Static) | 165lbs |
| Temperature | -4°F to +248°F |
| Fork Type | Swivel Caster With Side Brake |
| Stainless | N/A |
| Electrical Conductivity | N/A |
| Anti-Static | N/A |
| Weight | 0.7lbs |
| Standard | ISO22883 |

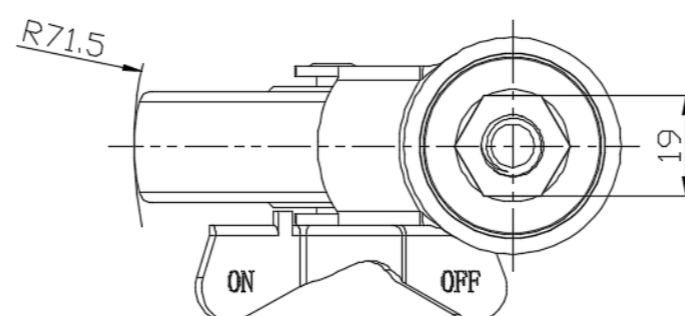
Advantages at a glance

| | |
|----------------------------|-----------|
| Rolling Resistance | ● ● ● ○ ○ |
| Operating Noise | ● ● ● ● ○ |
| Floor Surface Preservation | ● ● ● ● ○ |

Dimensions



Mounting



* For any deviation between metric and imperial spec, please refer to the metric spec.