

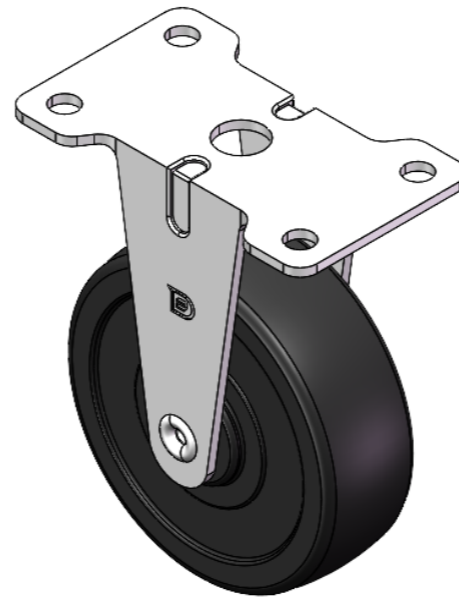
1121 Double Raceway, Light Duty Caster Series



PPR Wheel (Black-Black Flat) Wheel Diameter × Wheel Width 75×21mm

EAN

YJ-11210300261013



Drawings are for reference only and may differ from the product

Picture may differ from original product

Technical Data

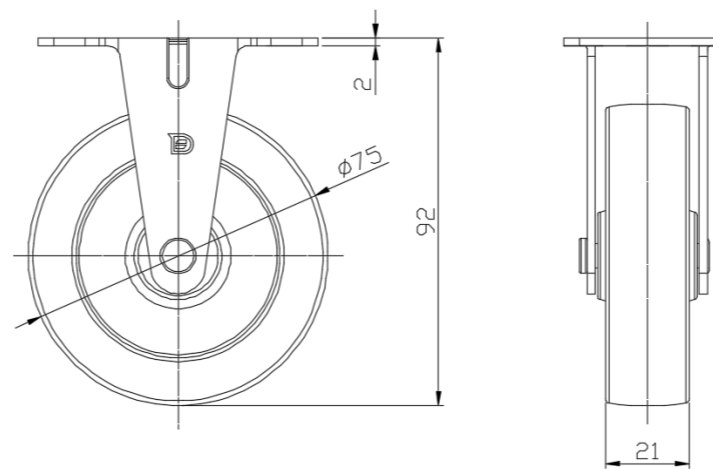
Imperial Metric

Wheel Diameter	3 "
Wheel Width	7/8 "
Wheel Bearing	Wheel With Plain Bearing
Plate Size	2-13/16 " x 1-11/16 "
Bolt Hole Spacing	2-1/4 " x 1-1/8 "
Plate Hole	1/4 "
Overall Height	3-5/8 "
Hardness Of Tread	80±5° Shore A
Load Capacity (Dynamic)	88lbs
Load Capacity (Static)	132lbs
Temperature	-4°F to +248°F
Fork Type	Rigid Caster
Stainless	N/A
Electrical Conductivity	N/A
Anti-Static	N/A
Weight	0.3lbs
Standard	ISO22883

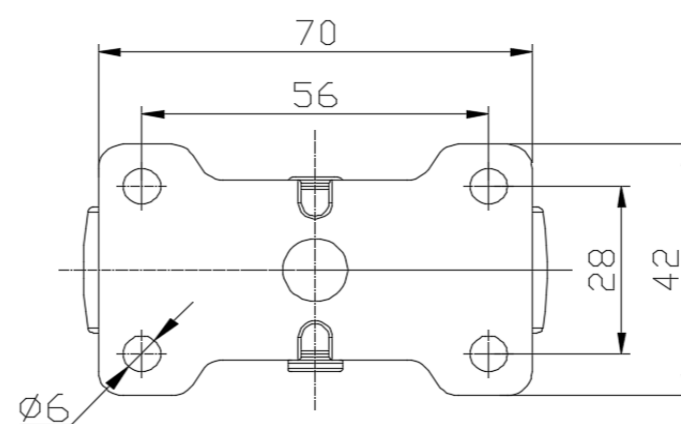
Advantages at a glance

Rolling Resistance	● ● ● ○ ○
Operating Noise	● ● ● ● ○
Floor Surface Preservation	● ● ● ● ○

Dimensions



Mounting



* For any deviation between metric and imperial spec, please refer to the metric spec.