

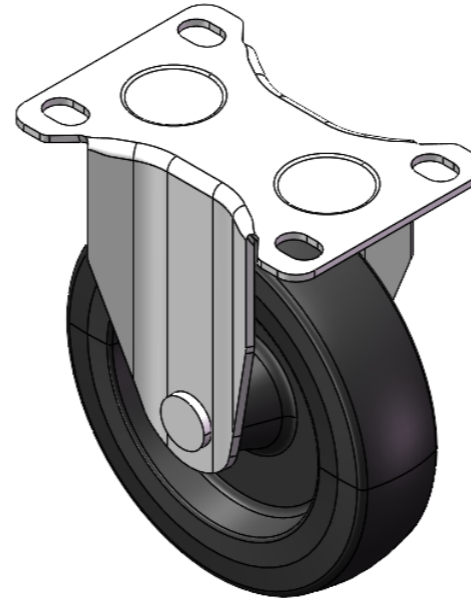
1121 Double Raceway, Light Duty Caster Series



PVC (black) Wheel diameter × Wheel width 100×25 mm

EAN

YJ-11210400271423



Drawings are for reference only and may differ from the product

Picture may differ from original product

Technical Data

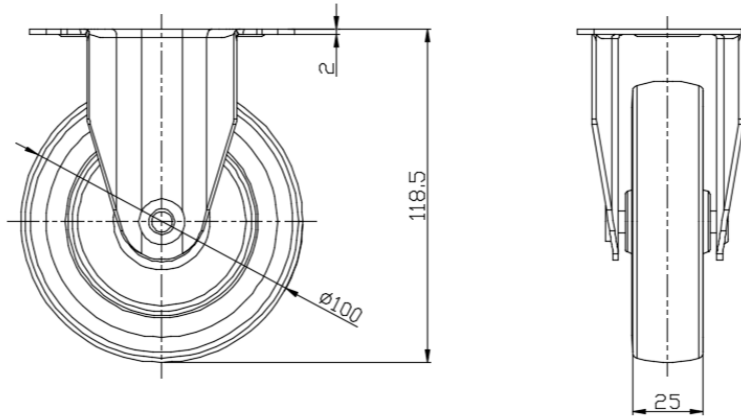
Metric Imperial

Wheel Diameter	100mm
Wheel Width	25mm
Wheel Bearing	Wheel With Plain Bearing
Plate Size	94 x 64.5mm
Bolt Hole Spacing	79x44mm
Plate Hole	12 x 8.5mm
Overall Height	118.5mm
Hardness Of Tread	90±5° Shore A
Load Capacity (Dynamic)	70kgs
Load Capacity (Static)	105kgs
Temperature	-20°C to +70°C
Fork Type	Rigid Caster
Stainless	N/A
Electrical Conductivity	N/A
Anti-Static	N/A
Weight	0.34kgs
Standard	ISO22883

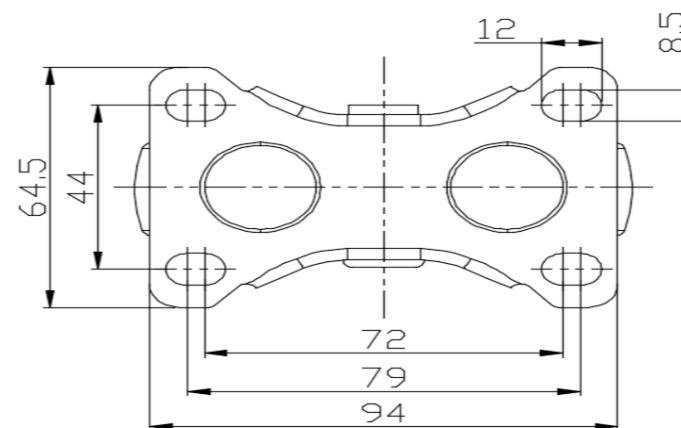
Advantages at a glance

Rolling Resistance	● ● ● ● ○
Operating Noise	● ● ● ● ○
Floor Surface Preservation	● ● ● ● ○

Dimensions



Mounting



* For any deviation between metric and imperial spec, please refer to the metric spec.