

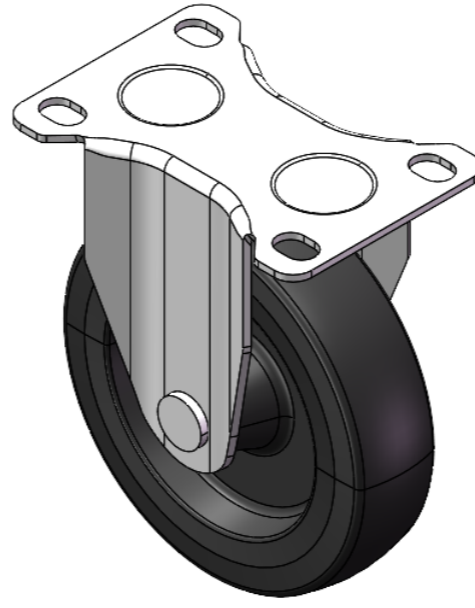
1121 Double Raceway, Light Duty Caster Series



PVC (black) Wheel diameter × Wheel width 100×25 mm

EAN

YJ-11210400271423



Drawings are for reference only and may differ from the product

Picture may differ from original product

Technical Data

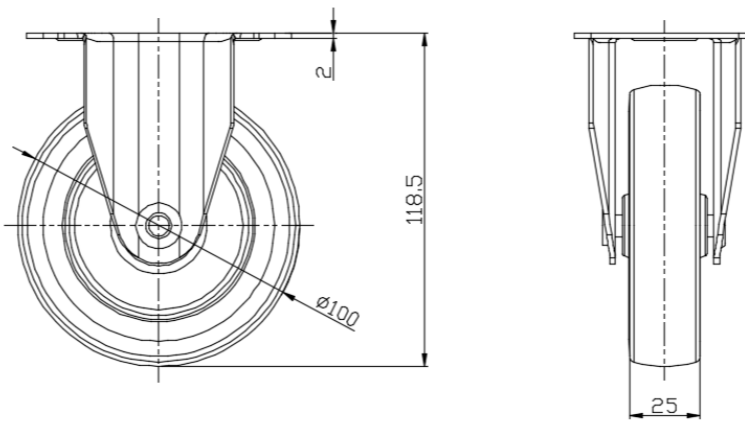
Imperial Metric

Wheel Diameter	4 "
Wheel Width	1 "
Wheel Bearing	Wheel With Plain Bearing
Plate Size	3-3/4 " x 2-9/16 "
Bolt Hole Spacing	
Plate Hole	1/2 " x 3/8 "
Overall Height	4-11/16 "
Hardness Of Tread	90±5° Shore A
Load Capacity (Dynamic)	154lbs
Load Capacity (Static)	231lbs
Temperature	-4°F to +158°F
Fork Type	Rigid Caster
Stainless	N/A
Electrical Conductivity	N/A
Anti-Static	N/A
Weight	0.7lbs
Standard	ISO22883

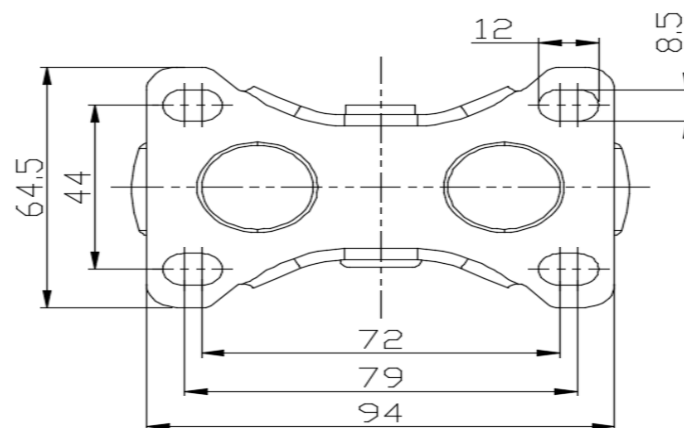
Advantages at a glance

Rolling Resistance	● ● ● ● ○
Operating Noise	● ● ● ● ○
Floor Surface Preservation	● ● ● ● ○

Dimensions



Mounting



* For any deviation between metric and imperial spec, please refer to the metric spec.