

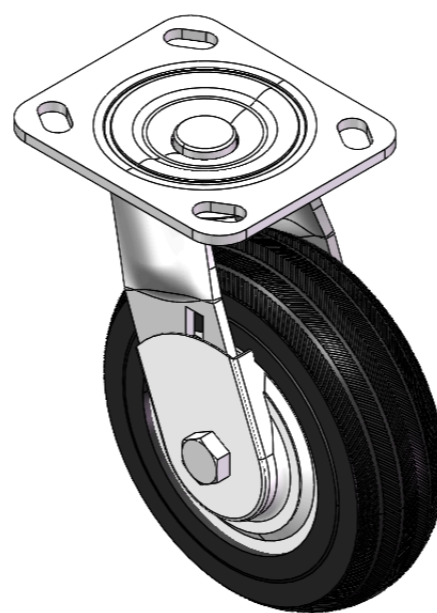
# 1124 1-1/2" Wide General Purposes Caster Series



SX Rubber Wheel Diameter × Wheel Width 150 x 45mm

EAN

YJ-11240600032043



Drawings are for reference only and may differ from the product

Picture may differ from original product

## Technical Data

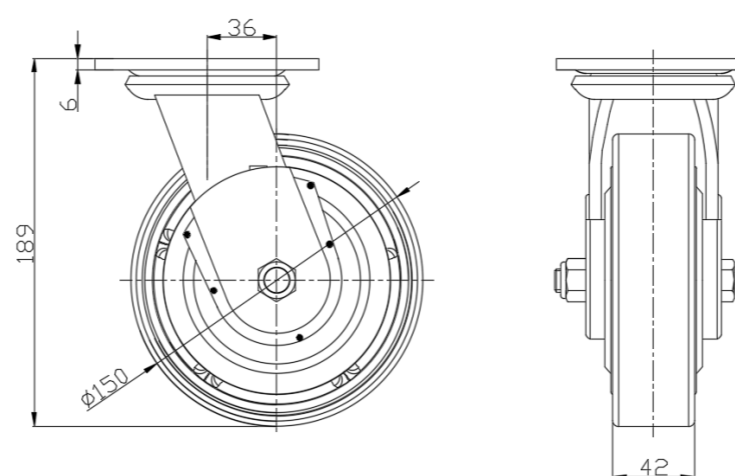
Metric  Imperial

Wheel Diameter	150mm
Wheel Width	45mm
Wheel Bearing	Wheels With Ball Bearings
Plate Size	115 x 100mm
Bolt Hole Spacing	85 x 70mm
Plate Hole	20 x 11mm
Offset	39mm
Swivel Interference	222mm
Overall Height	189mm
Swivel Radius	111mm
Hardness Of Tread	85±5° Shore A
Load Capacity (Dynamic)	220kgs
Load Capacity (Static)	330kgs
Temperature	-20°C to +120°C
Fork Type	Swivel Caster
Stainless	N/A
Electrical Conductivity	N/A
Anti-Static	N/A
Weight	2.98kgs
Standard	ISO22883

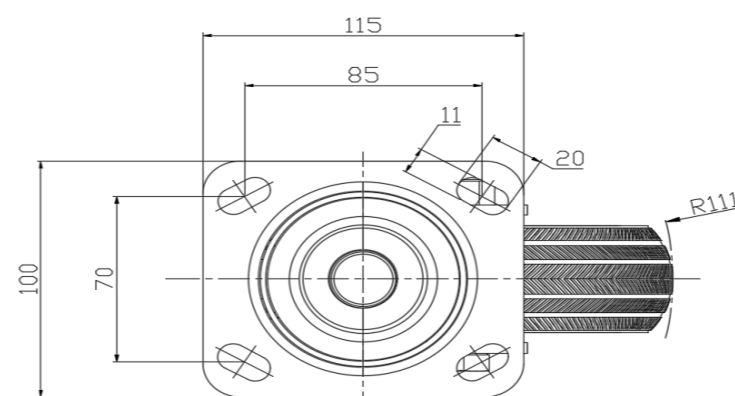
## Advantages at a glance

Rolling Resistance	● ● ● ● ○
Operating Noise	● ● ● ● ○
Floor Surface Preservation	● ● ● ● ○

## Dimensions



## Mounting



\* For any deviation between metric and imperial spec, please refer to the metric spec.