

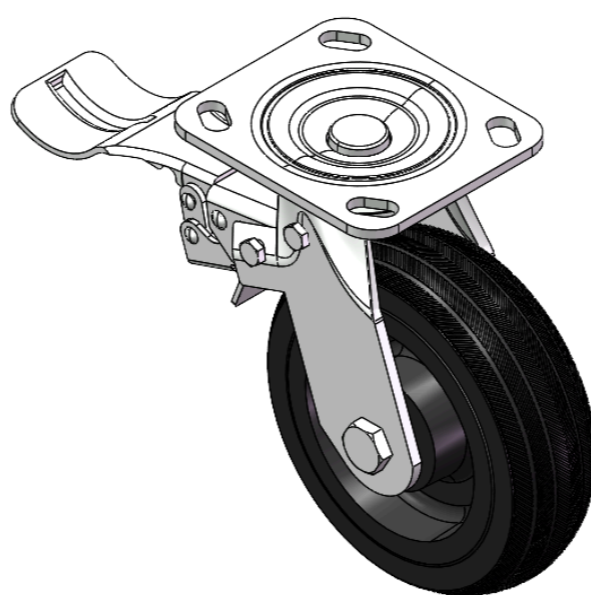
1124 1-1/2" Wide General Purposes Caster Series



SX Rubber Wheel Diameter × Wheel Width 150 x 45mm

EAN

YJ-11240600034013



Drawings are for reference only and may differ from the product

Picture may differ from original product

Technical Data

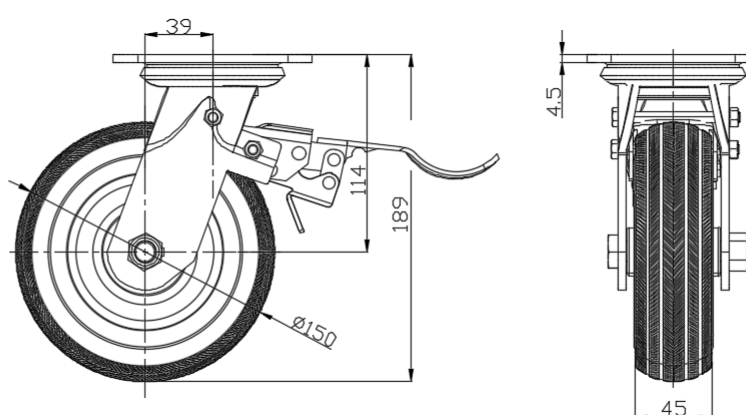
Metric Imperial

Wheel Diameter	150mm
Wheel Width	45mm
Wheel Bearing	Wheels With Ball Bearings
Plate Size	115 x 100mm
Bolt Hole Spacing	85 x 70mm
Plate Hole	20 x 11mm
Offset	39mm
Swivel Interference	334mm
Overall Height	189mm
Swivel Radius	167mm
Hardness Of Tread	85±5° Shore A
Load Capacity (Dynamic)	220kgs
Load Capacity (Static)	330kgs
Temperature	-20°C to +120°C
Fork Type	Swivel Caster With Front Brake
Stainless	N/A
Electrical Conductivity	N/A
Anti-Static	N/A
Weight	2.89kgs
Standard	ISO22883

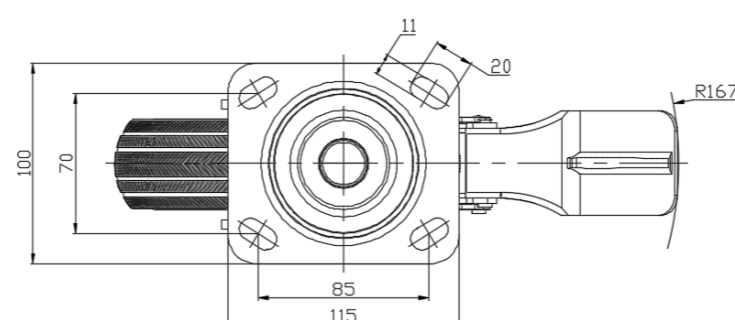
Advantages at a glance

Rolling Resistance	● ● ● ● ○
Operating Noise	● ● ● ● ○
Floor Surface Preservation	● ● ● ● ○

Dimensions



Mounting



* For any deviation between metric and imperial spec, please refer to the metric spec.