

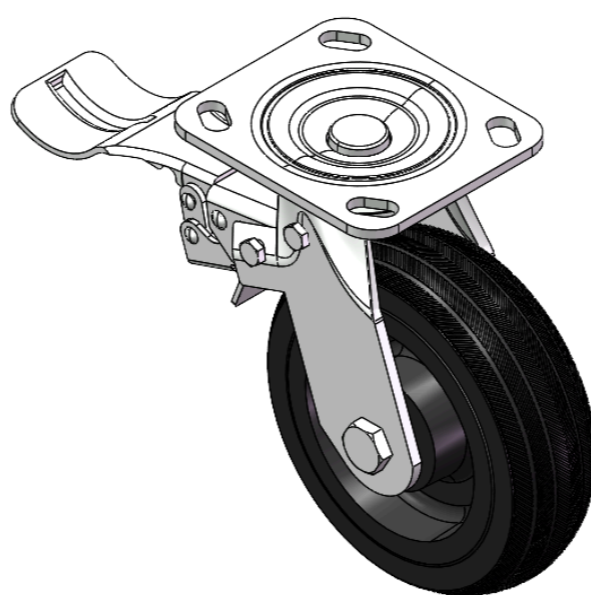
1124 1-1/2" Wide General Purposes Caster Series



SX Rubber Wheel Diameter × Wheel Width 150 × 45mm

EAN

YJ-11240600034013



Drawings are for reference only and may differ from the product

Picture may differ from original product

Technical Data

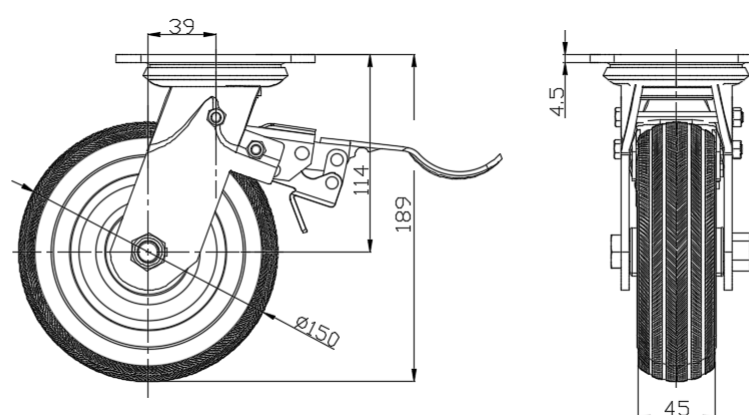
Imperial Metric

Wheel Diameter	6 "
Wheel Width	1-13/16 "
Wheel Bearing	Wheels With Ball Bearings
Plate Size	4-9/16 " x 4 "
Bolt Hole Spacing	3-3/8 " x 2-3/4 "
Plate Hole	13/16 " x 3/8 "
Offset	1-9/16 "
Swivel Interference	13-5/16 "
Overall Height	7-1/2 "
Swivel Radius	6-5/8 "
Hardness Of Tread	85±5° Shore A
Load Capacity (Dynamic)	485lbs
Load Capacity (Static)	728lbs
Temperature	-4°F to +248°F
Fork Type	Swivel Caster With Front Brake
Stainless	N/A
Electrical Conductivity	N/A
Anti-Static	N/A
Weight	6.4lbs
Standard	ISO22883

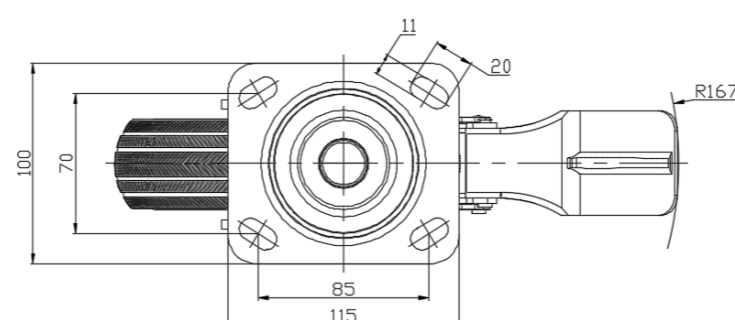
Advantages at a glance

Rolling Resistance	● ● ● ○ ○
Operating Noise	● ● ● ● ○
Floor Surface Preservation	● ● ● ● ○

Dimensions



Mounting



* For any deviation between metric and imperial spec, please refer to the metric spec.