

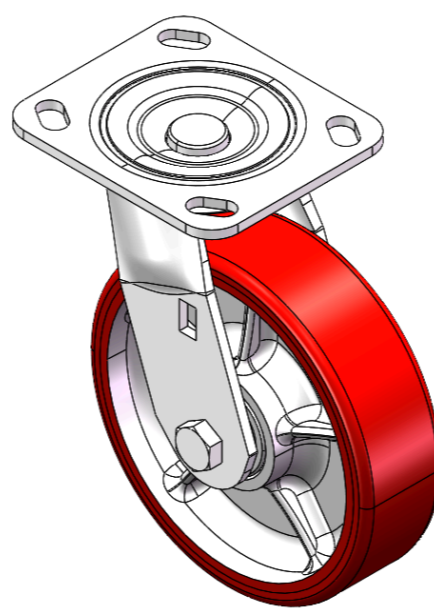
1124 1-1/2" Wide General Purposes Caster Series



PU (red round) Wheel Diameter × Wheel Width 150 x 42mm

EAN

YJ-11240600332093



Drawings are for reference only and may differ from the product

Picture may differ from original product

Technical Data

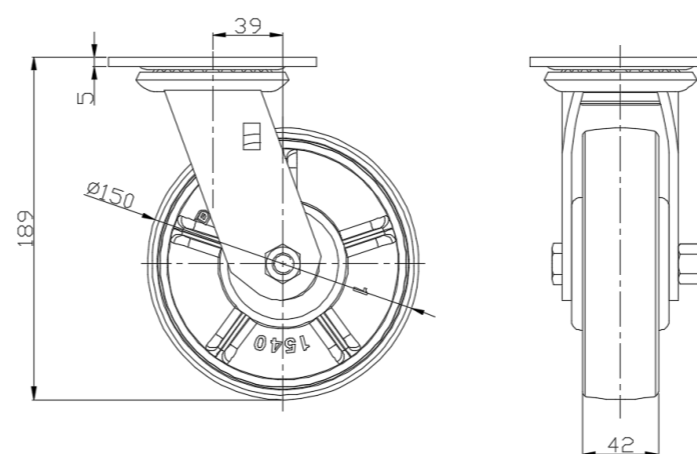
Metric Imperial

| | |
|-------------------------|---------------------------|
| Wheel Diameter | 150mm |
| Wheel Width | 42mm |
| Wheel Bearing | Wheels With Ball Bearings |
| Plate Size | 115 x 100mm |
| Bolt Hole Spacing | 85 x 70mm |
| Plate Hole | 20 x 11mm |
| Offset | 39mm |
| Swivel Interference | 225mm |
| Overall Height | 189mm |
| Swivel Radius | 112.5mm |
| Hardness Of Tread | 93±5° Shore A |
| Load Capacity (Dynamic) | 600kgs |
| Load Capacity (Static) | 900kgs |
| Temperature | -20°C to +70°C |
| Fork Type | Swivel Caster |
| Stainless | N/A |
| Electrical Conductivity | N/A |
| Anti-Static | N/A |
| Weight | 5.07kgs |
| Standard | ISO22883 |

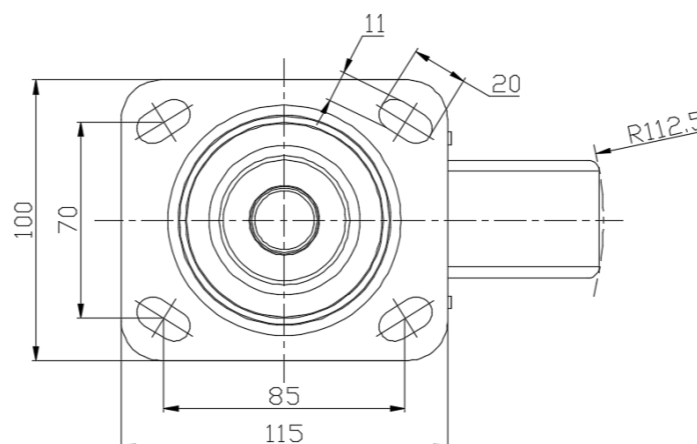
Advantages at a glance

| | |
|----------------------------|-----------|
| Rolling Resistance | ● ● ● ● ○ |
| Operating Noise | ● ● ● ● ○ |
| Floor Surface Preservation | ● ● ● ● ○ |

Dimensions



Mounting



* For any deviation between metric and imperial spec, please refer to the metric spec.